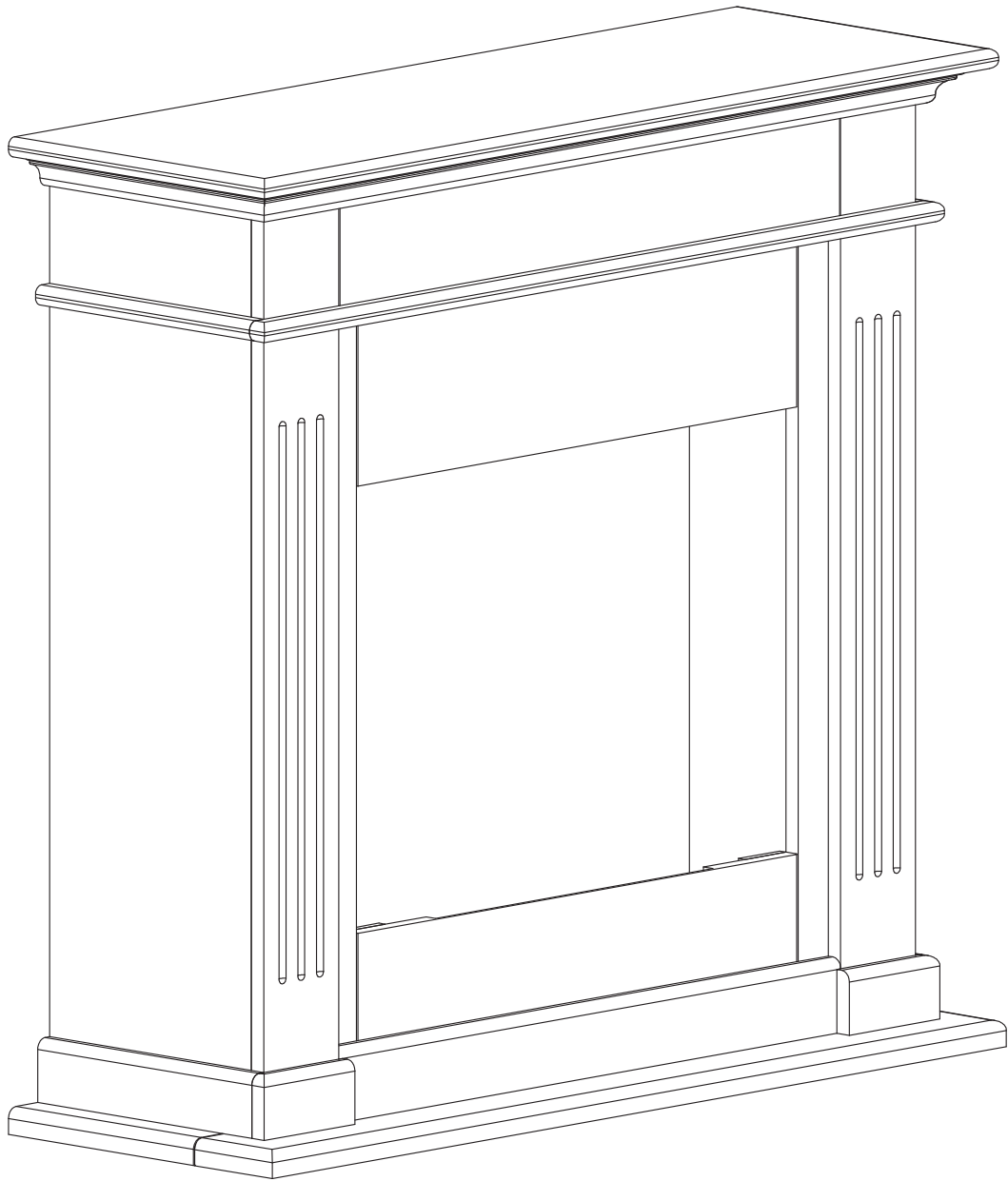


ELDA

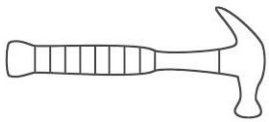
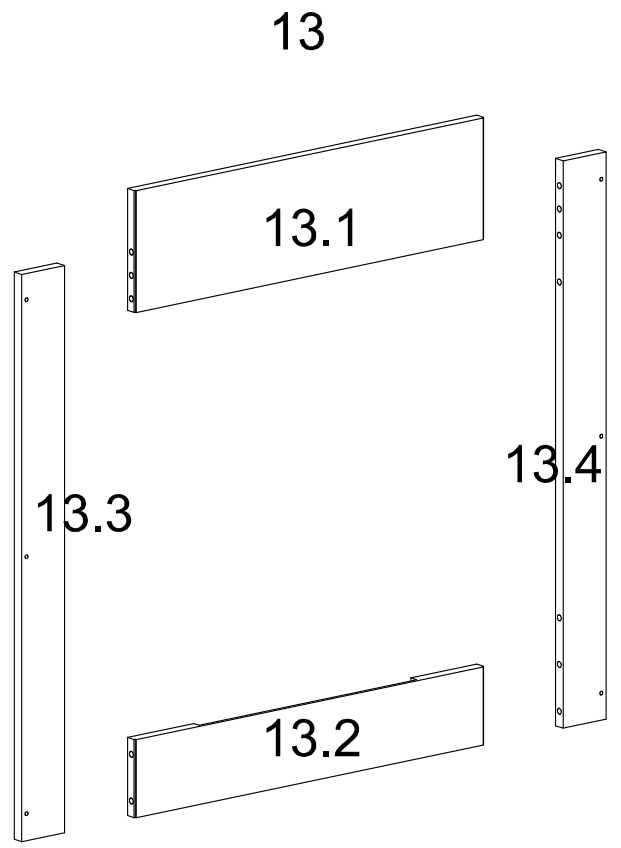
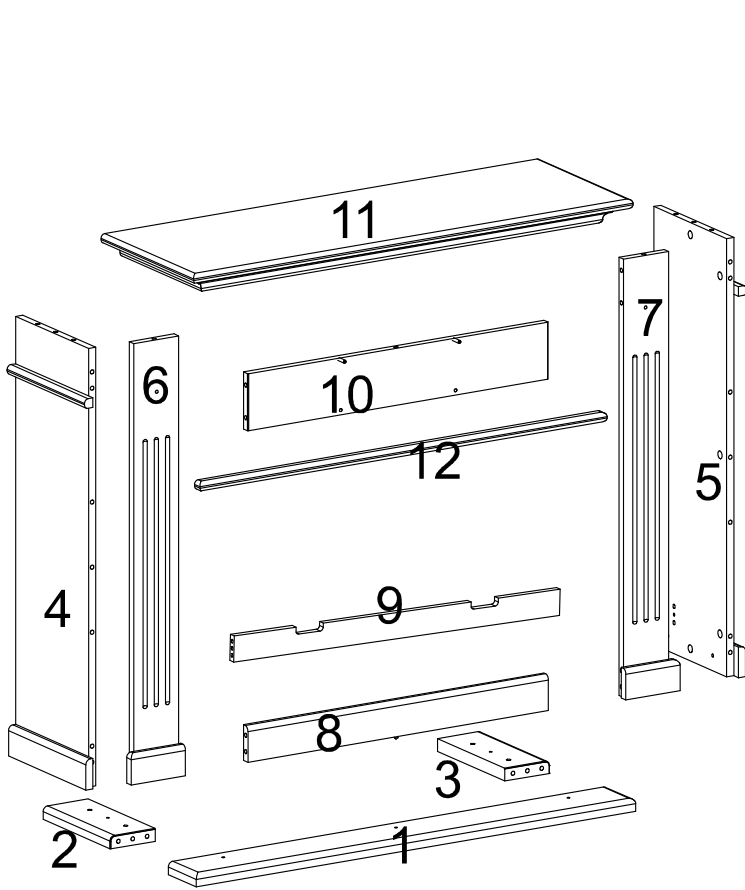
INSTRUCTION



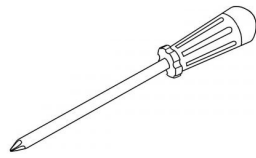
Xaralyn B.V.

IMPORTANT: Please read this instruction carefully, keep for further reference and check all parts before assembling.

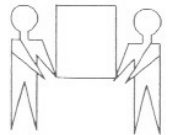
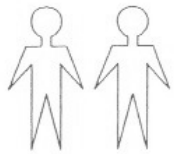
info@xaralyn.com
www.xaralyn.com



For A, B, C



For D, E, F, G



6 x 25



A x 4

8 x 35



B x 28

8 x 45



C x 12



D x 20



E x 20

3 x 25

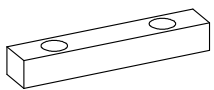


F x 6

3,5 x 16



G x 4

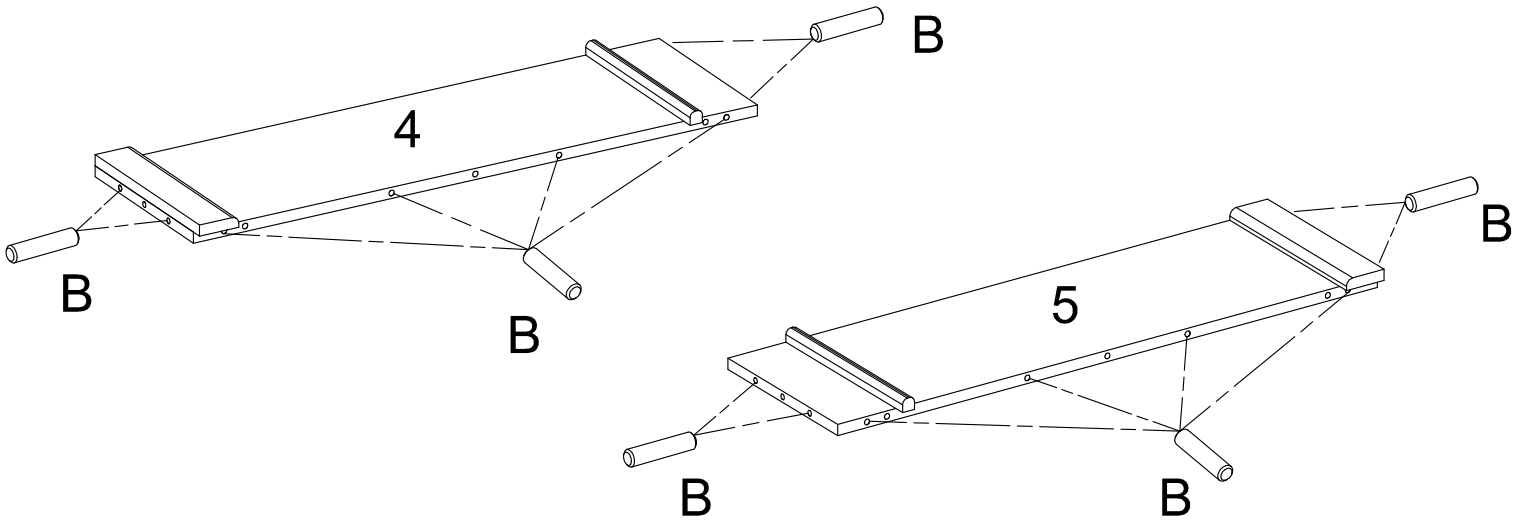


H x 2

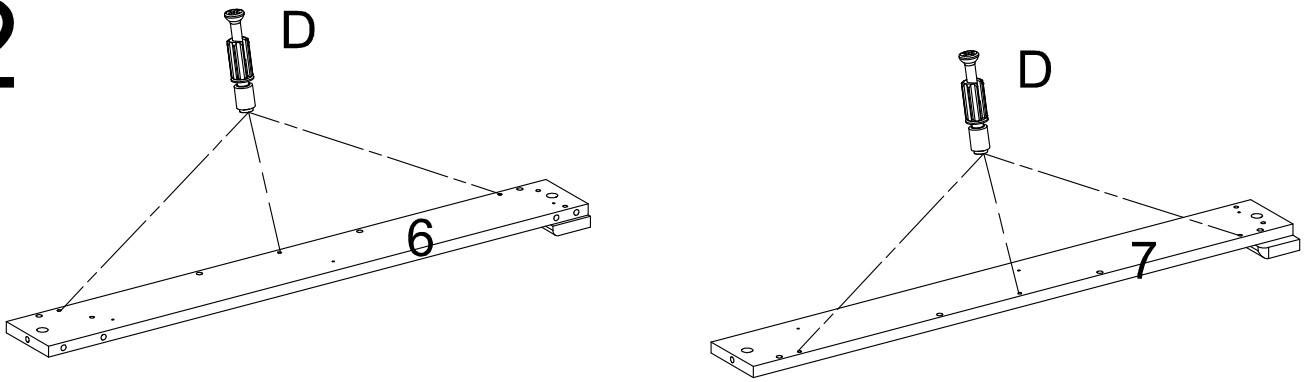


x1

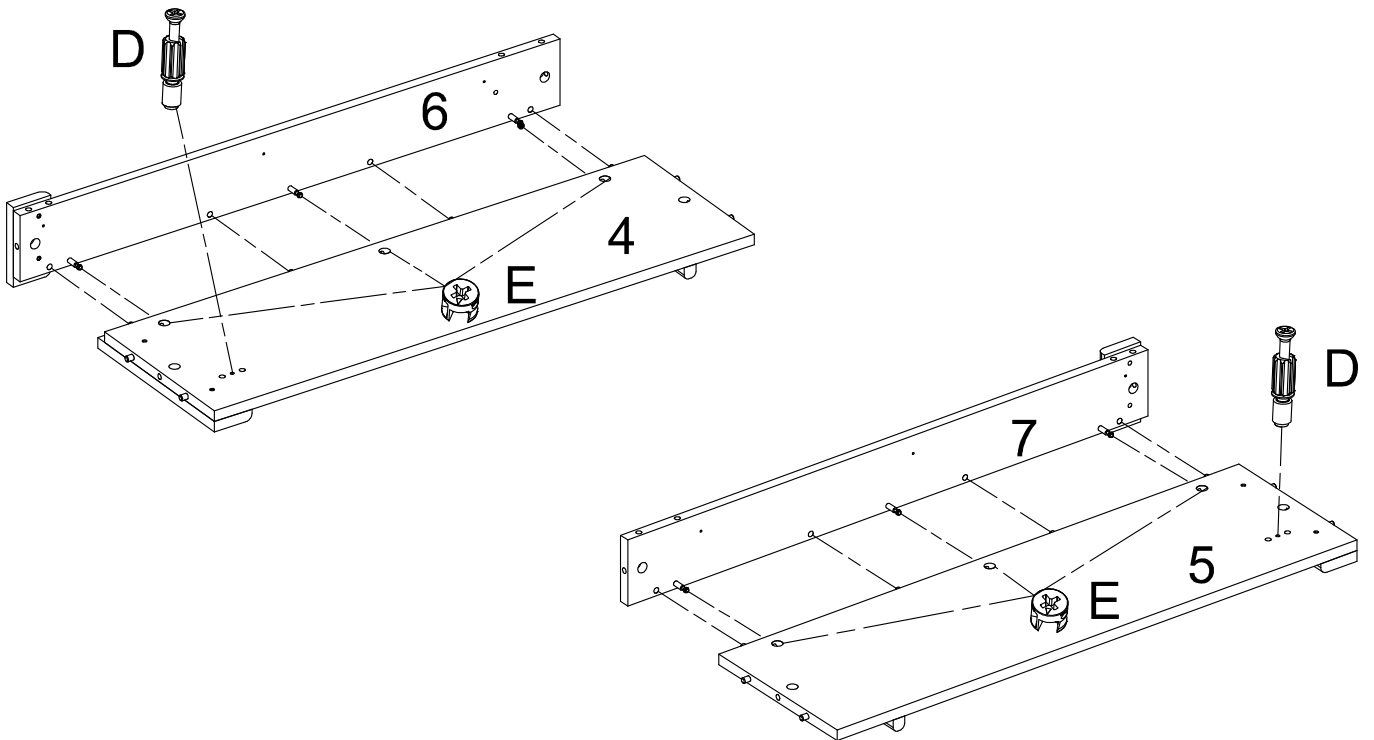
1



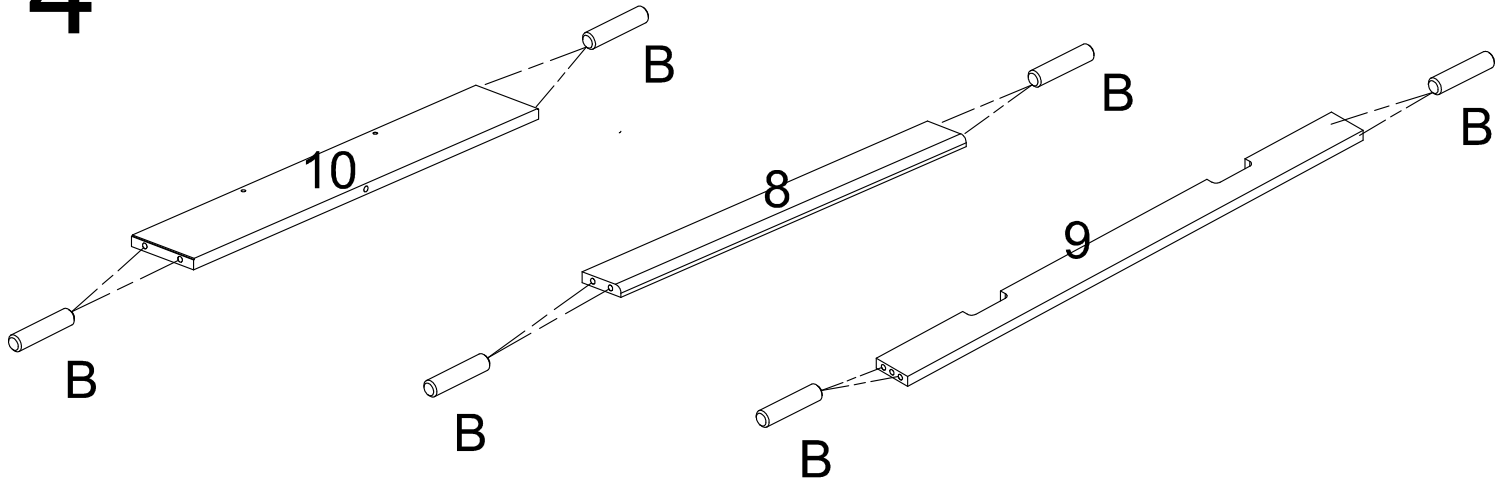
2



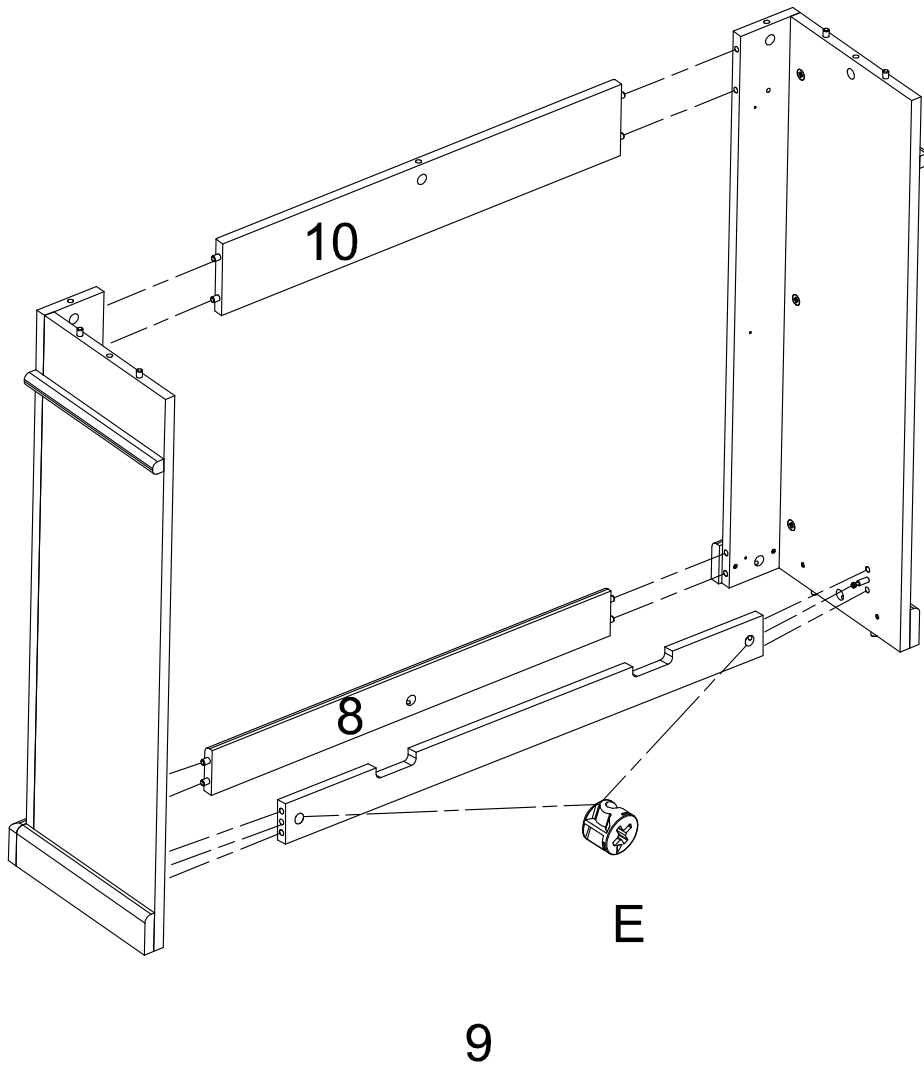
3



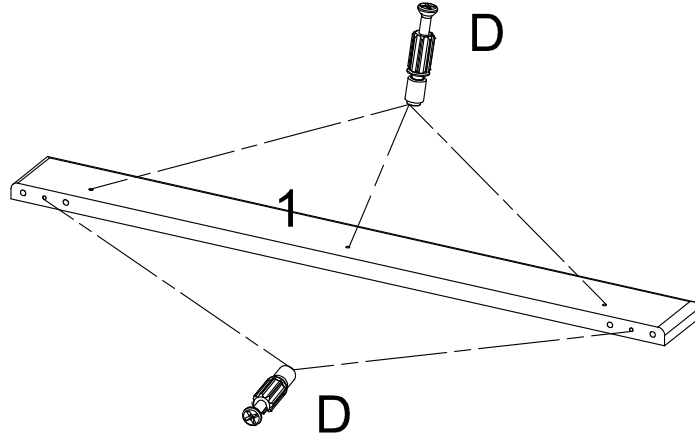
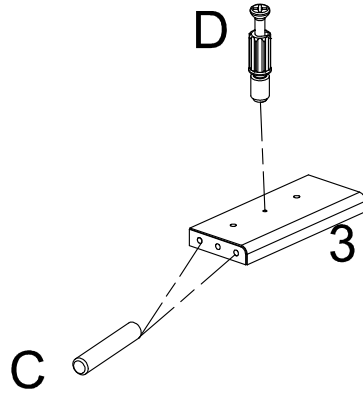
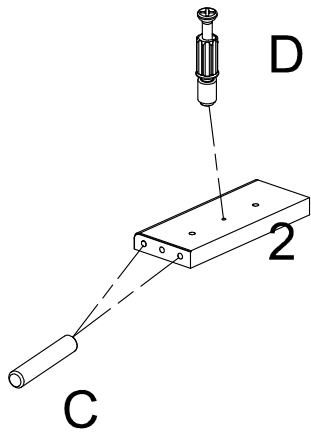
4



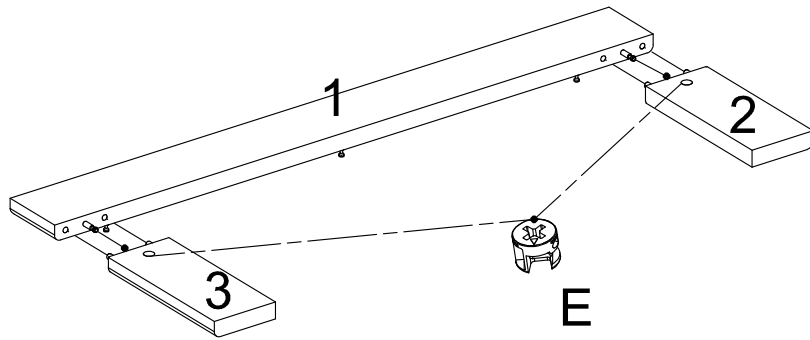
5



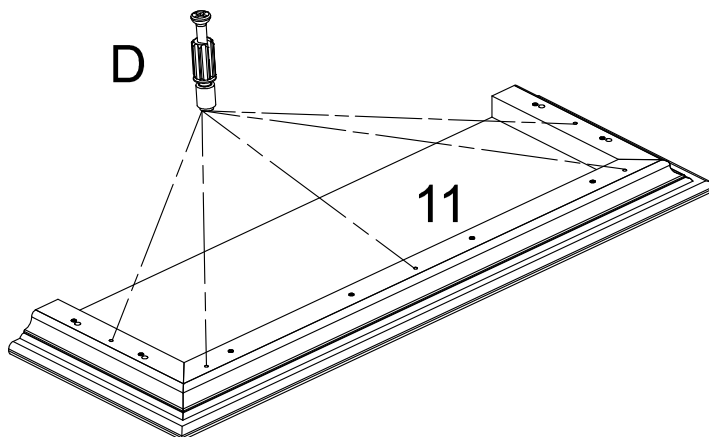
6



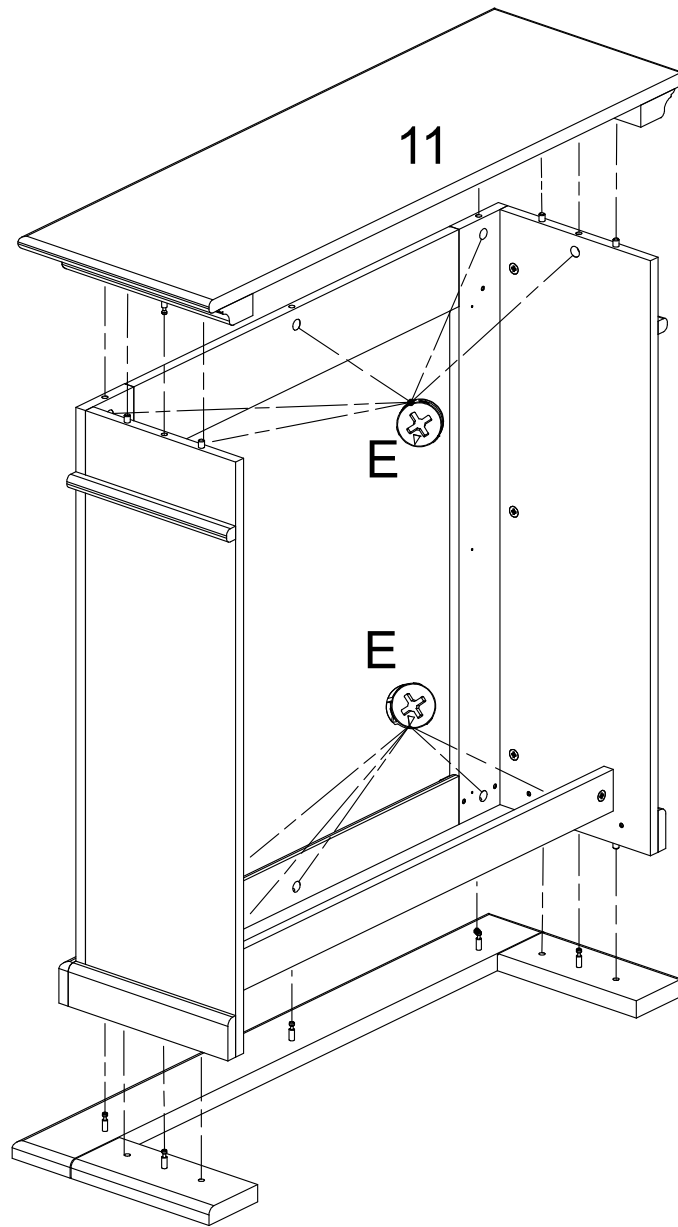
7



8

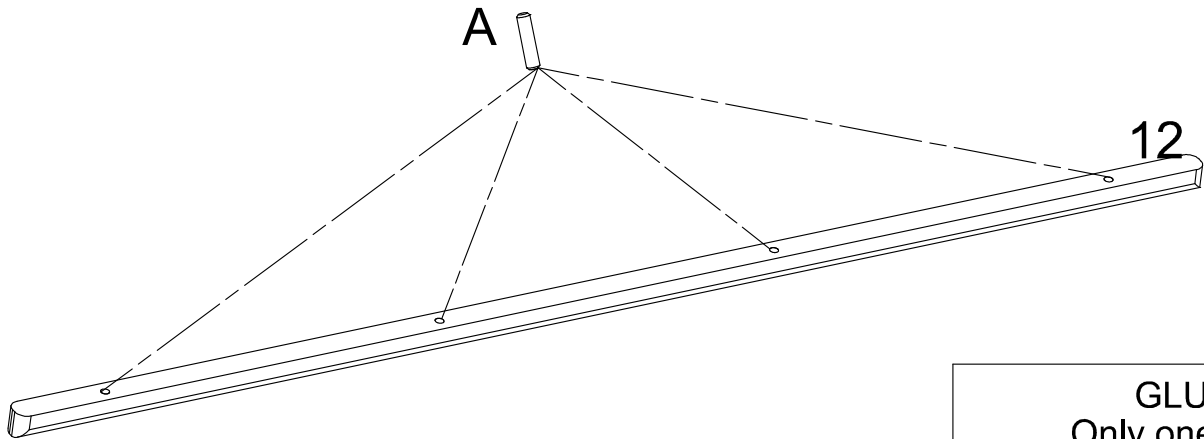


9

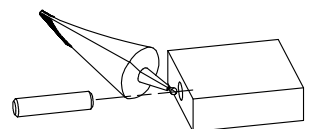


10

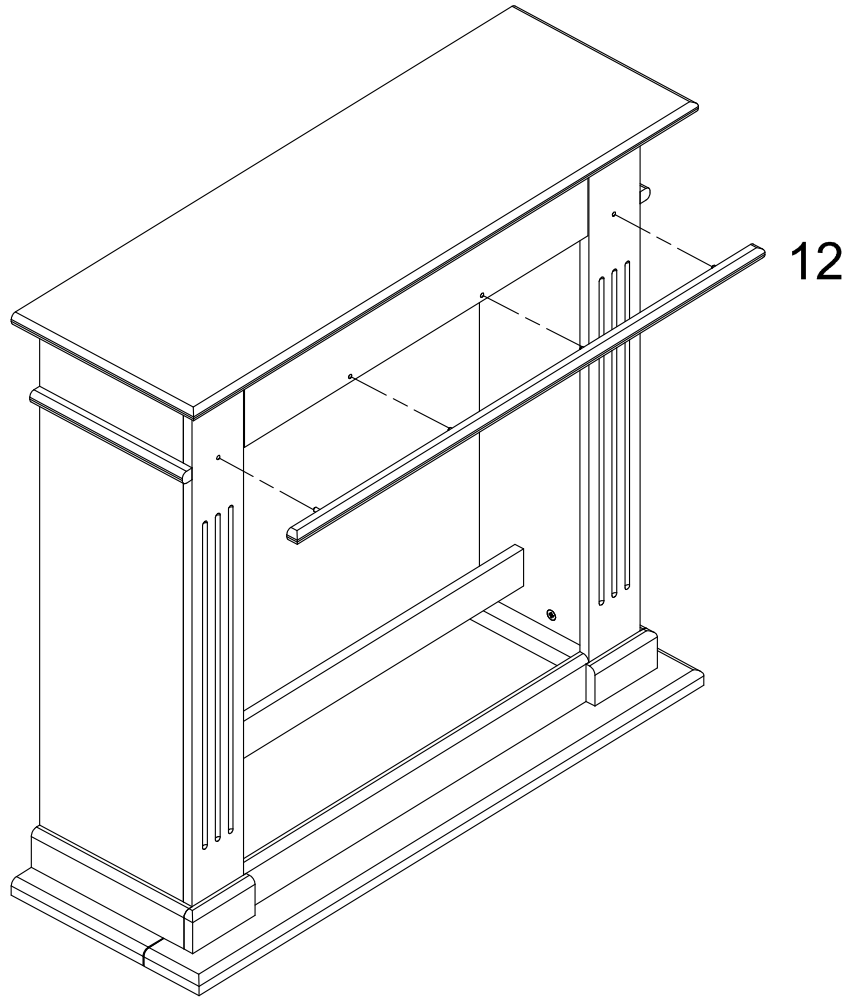
ATTENTION!
Put "12" on hard floor.



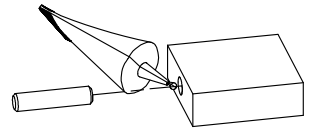
GLUE
Only one drop
for all pins !



11

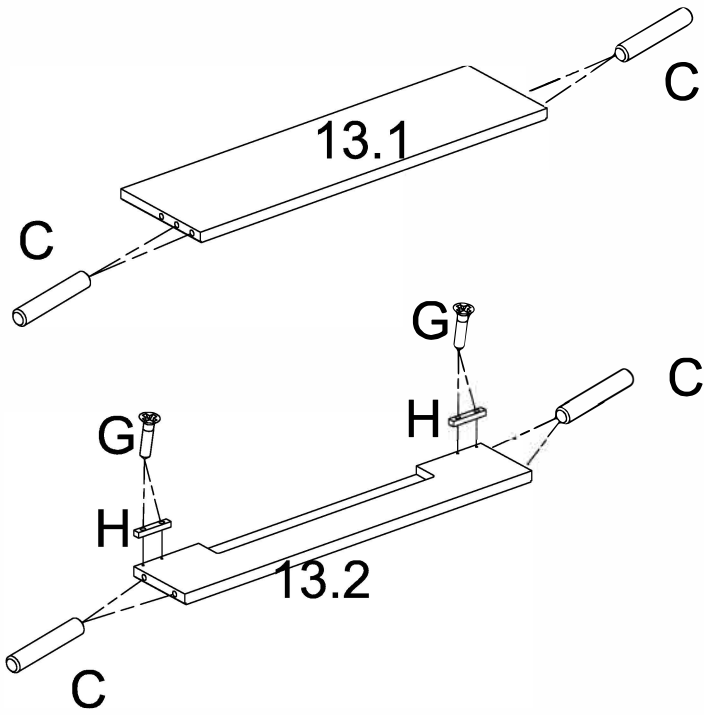


GLUE
Only one drop
for all pins!

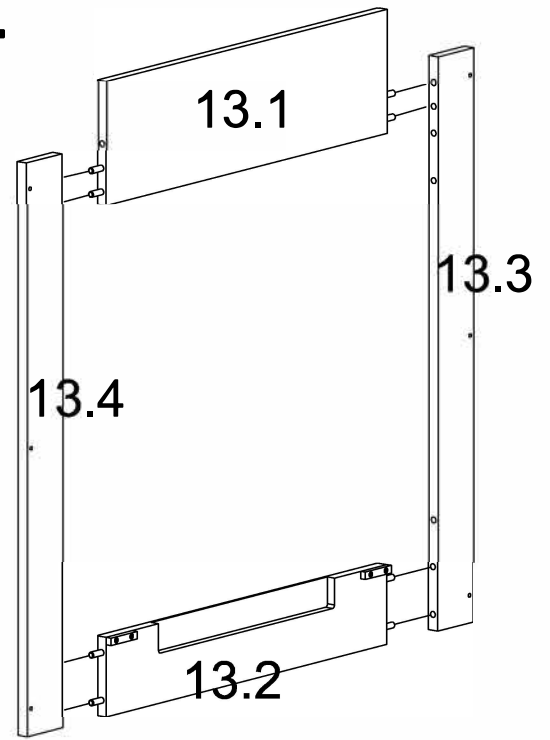


FOR LUCIUS

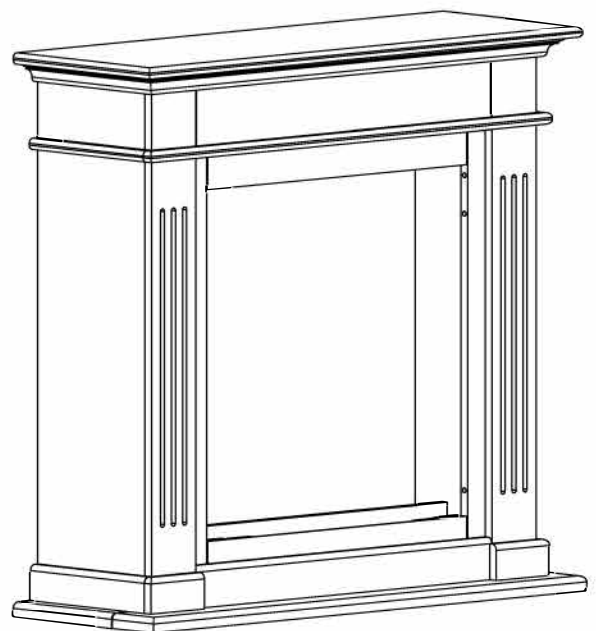
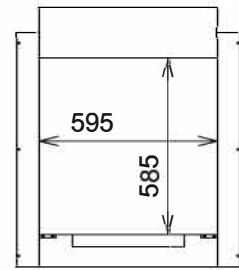
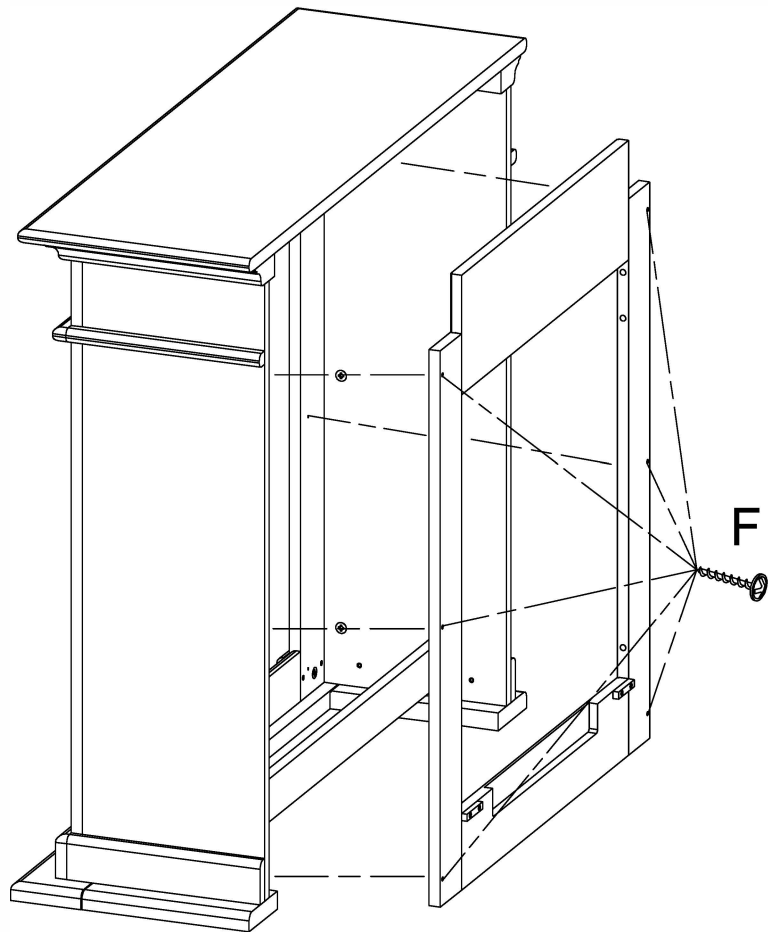
A1



A2

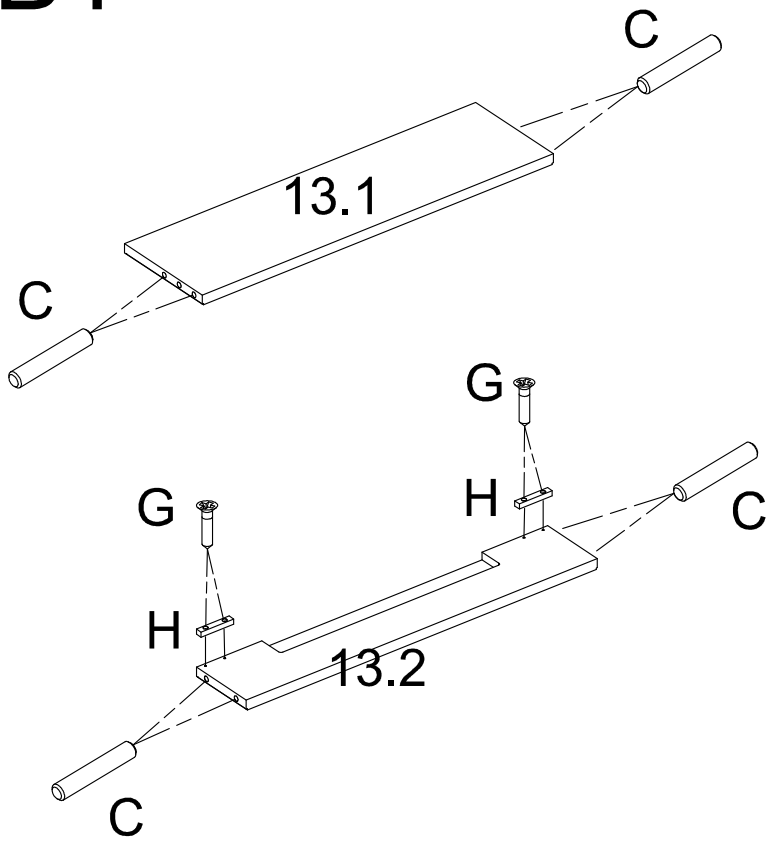


A3

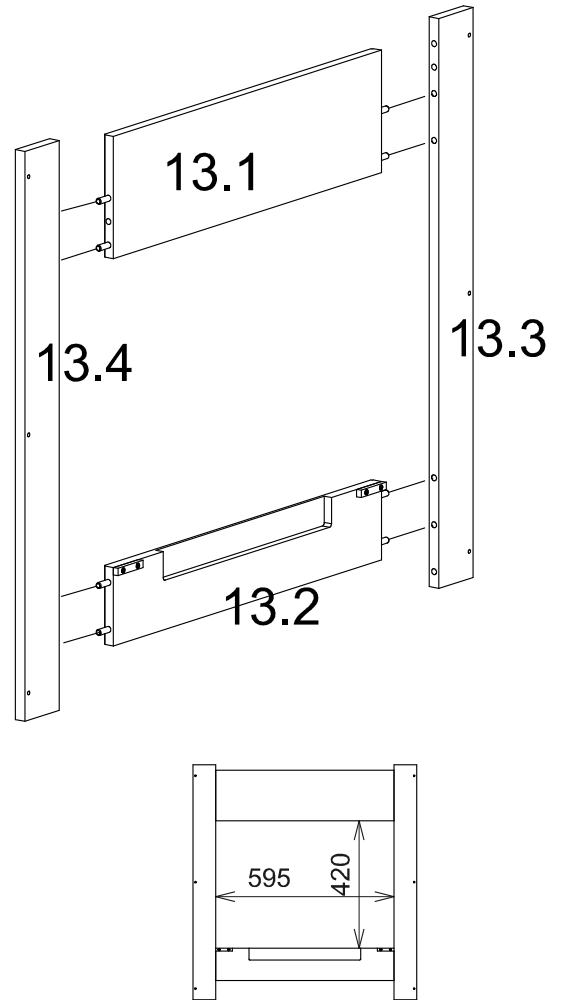


FOR FLANDRIA

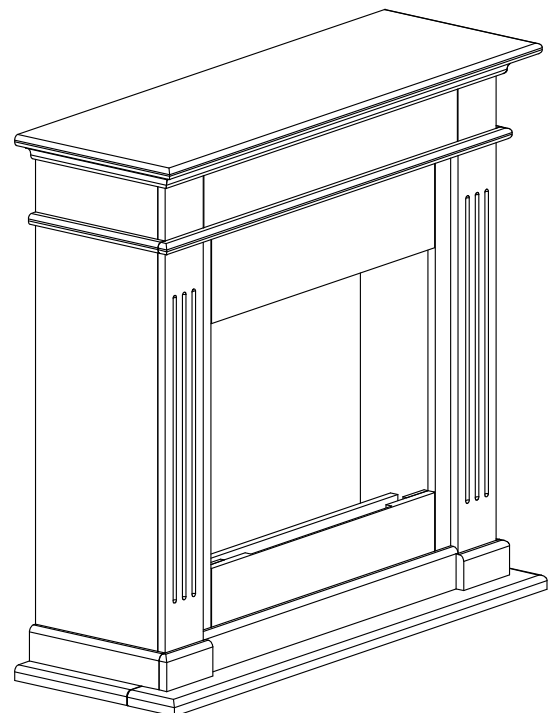
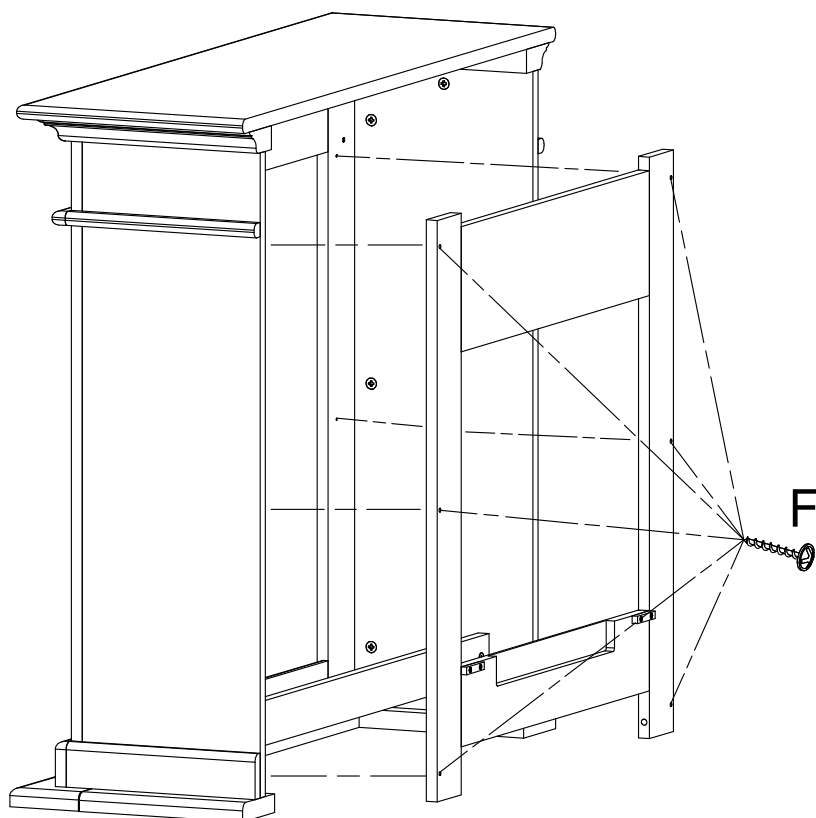
B1



B2

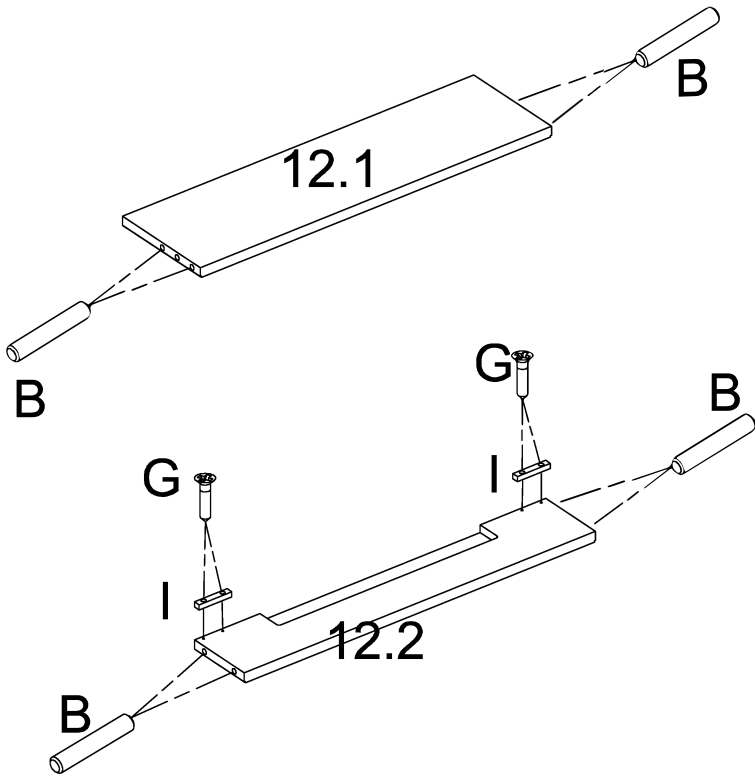


B3

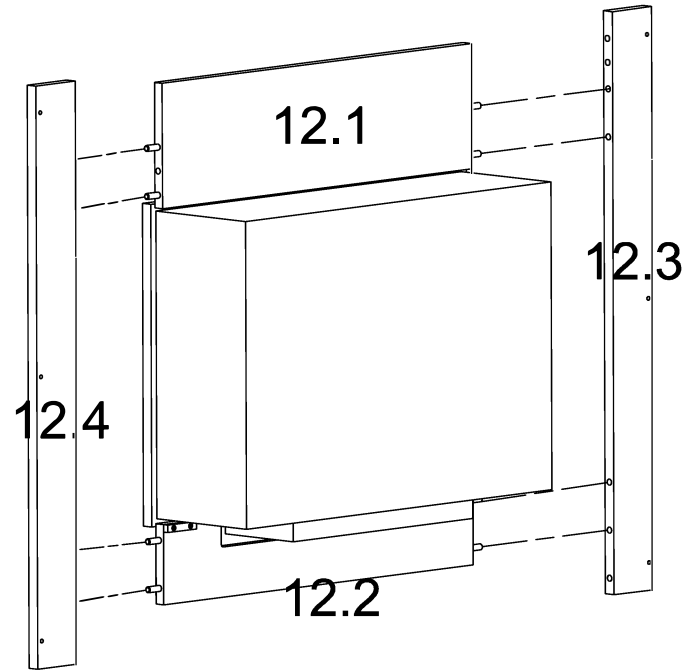


FOR RIANO

C1



C2



C3

