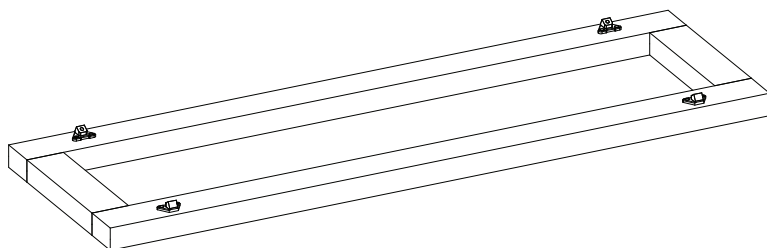
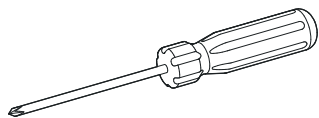
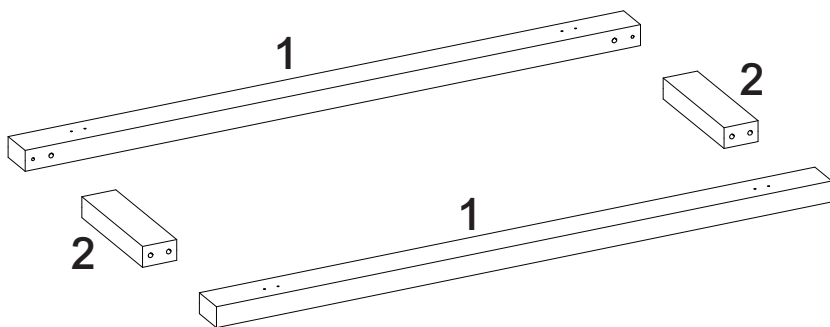


AMBIANCE FP PLINT (part 1 from 4) INSTRUCTION

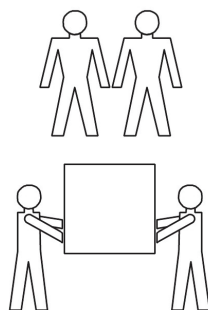




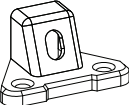
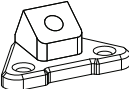



C L E A N F I R E S Y S T E M
XARALYN®

IMPORTANT: Please read this instruction carefully, keep for further reference and check all parts before assembling.

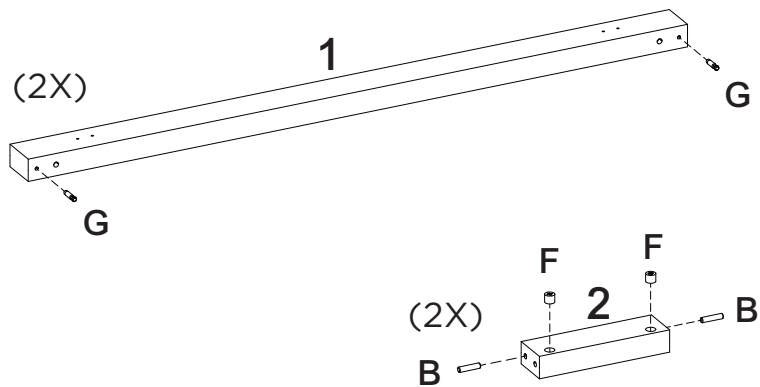


For A,E,F,G

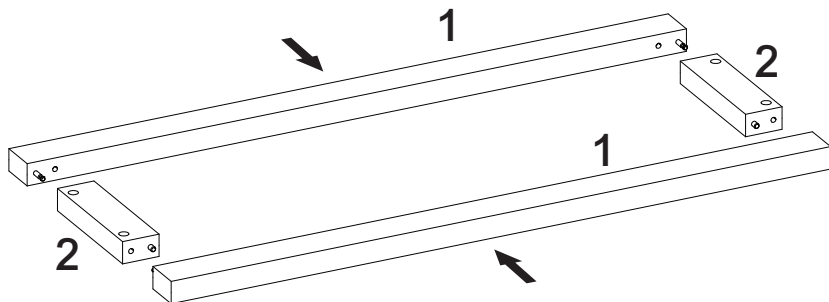


<p>3,5x16</p>  <p>A x 16</p>	<p>8x30</p>  <p>B x 4</p>	 <p>C x 4</p>	 <p>D x 4</p>	 <p>E x 4</p>
 <p>F x 4</p>	 <p>G x 4</p> <p>Ø5</p>			

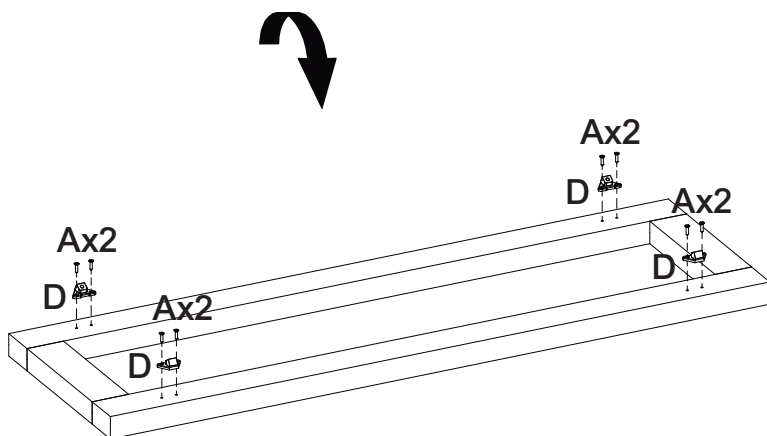
1



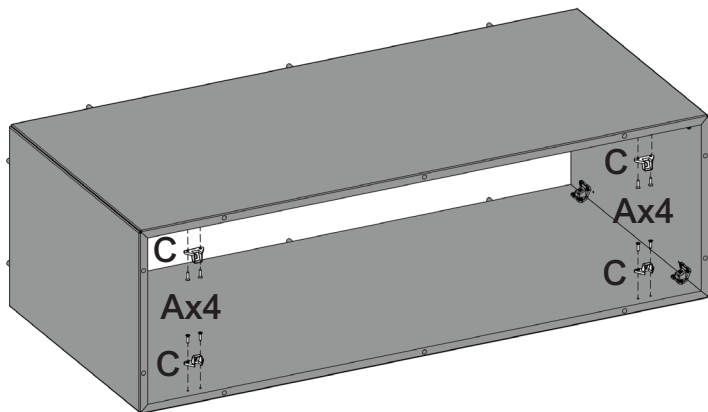
2



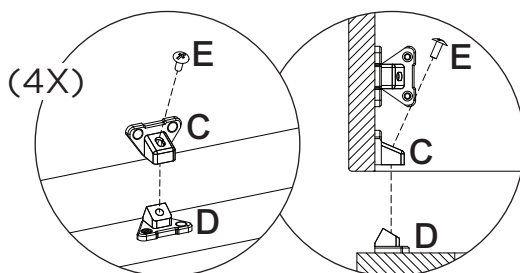
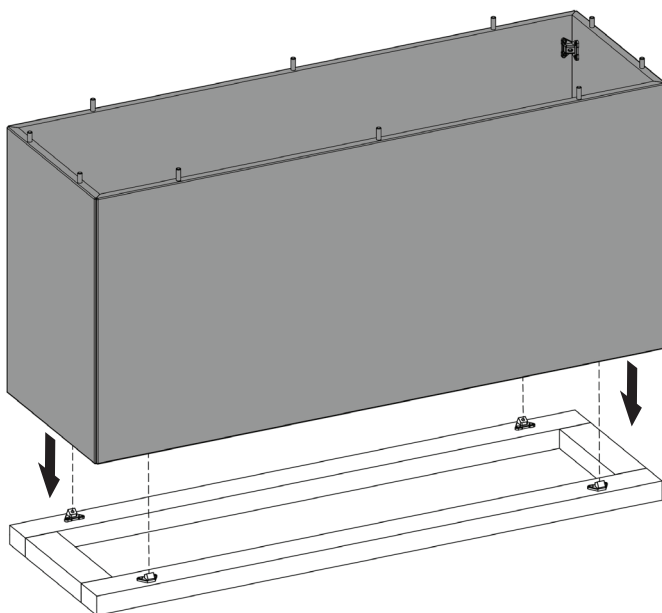
3



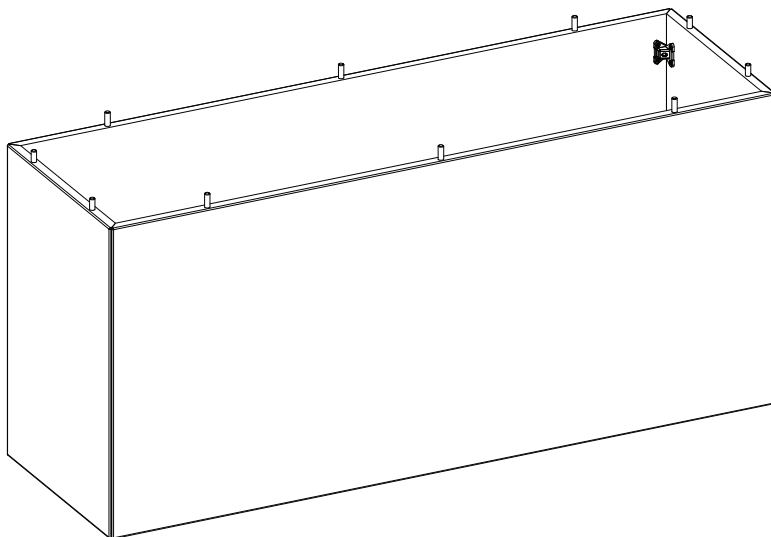
4



5

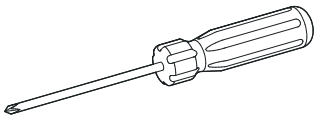
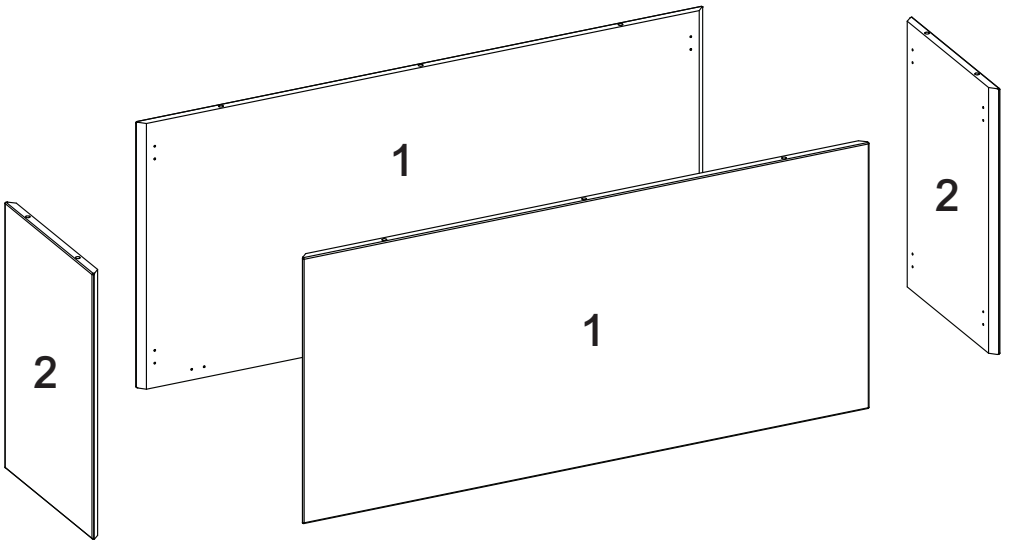


AMBIANCE FP BLOK (part 2 from 4) INSTRUCTION

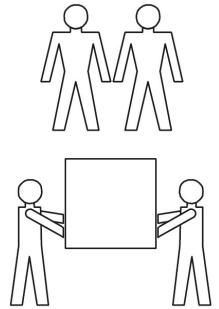


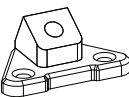
C L E A N F I R E S Y S T E M
XARALYN®

IMPORTANT: Please read this instruction carefully, keep for further reference and check all parts before assembling.

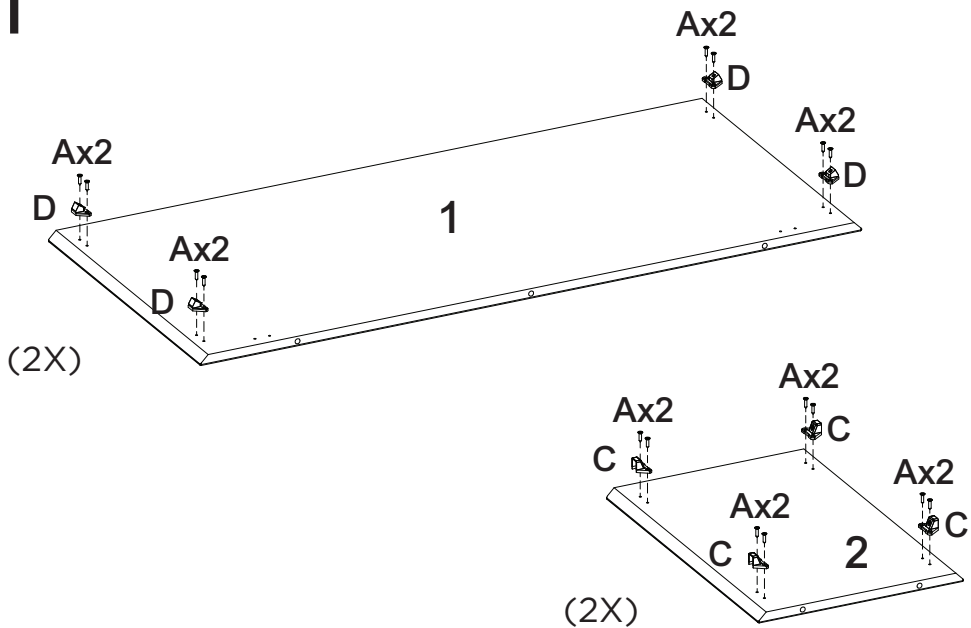


For A,E

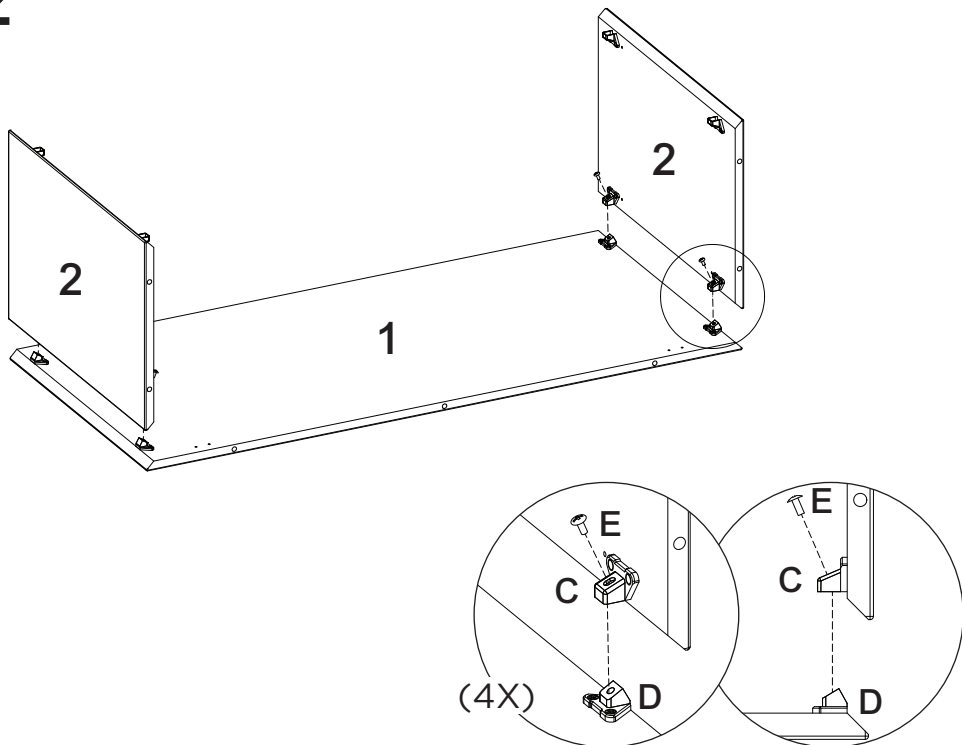


<p>3,5x16</p>  <p>A x 32</p>	<p>8x30</p>  <p>B x 10</p>	 <p>C x 8</p>	 <p>D x 8</p>	 <p>E x 8</p>
--	--	---	---	--

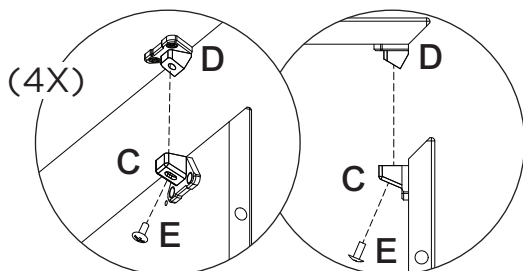
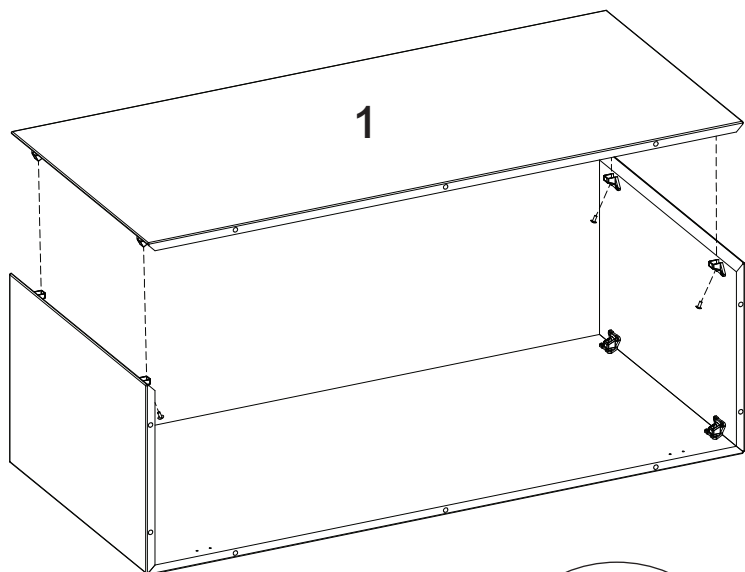
1



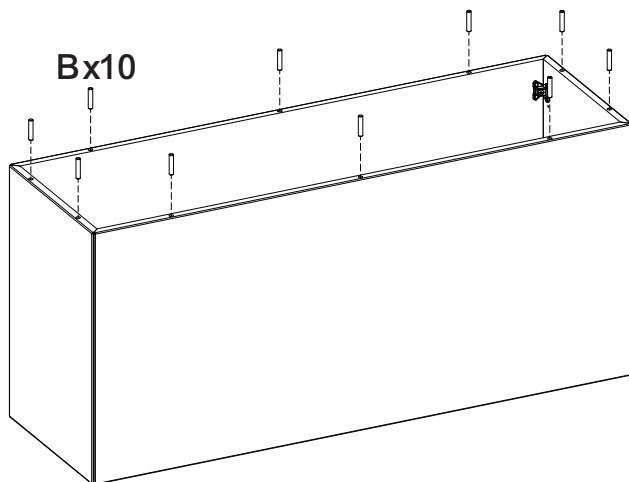
2



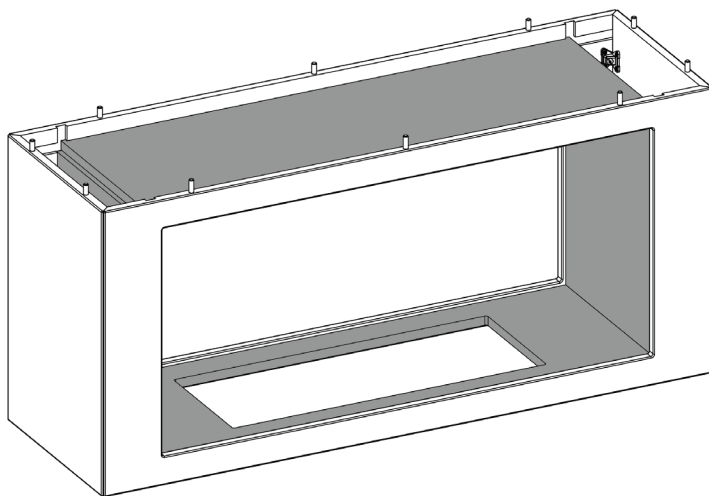
3



4

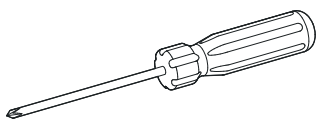
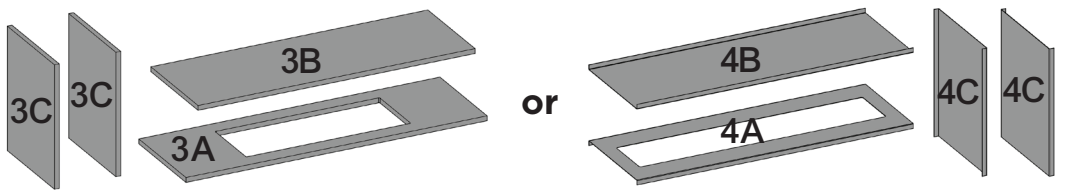
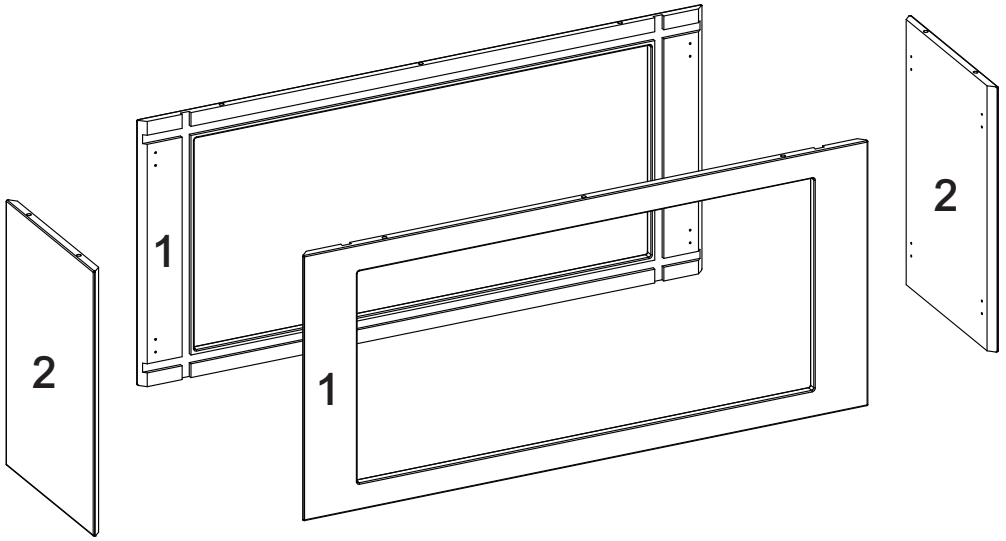


AMBIANCE FP BLOK-OPEN (part 3 from 4) INSTRUCTION

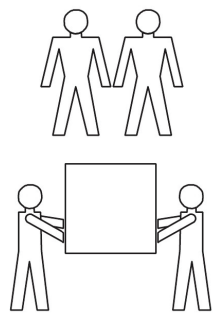


C L E A N F I R E S Y S T E M
XARALYN®

IMPORTANT: Please read this instruction carefully, keep for further reference and check all parts before assembling.

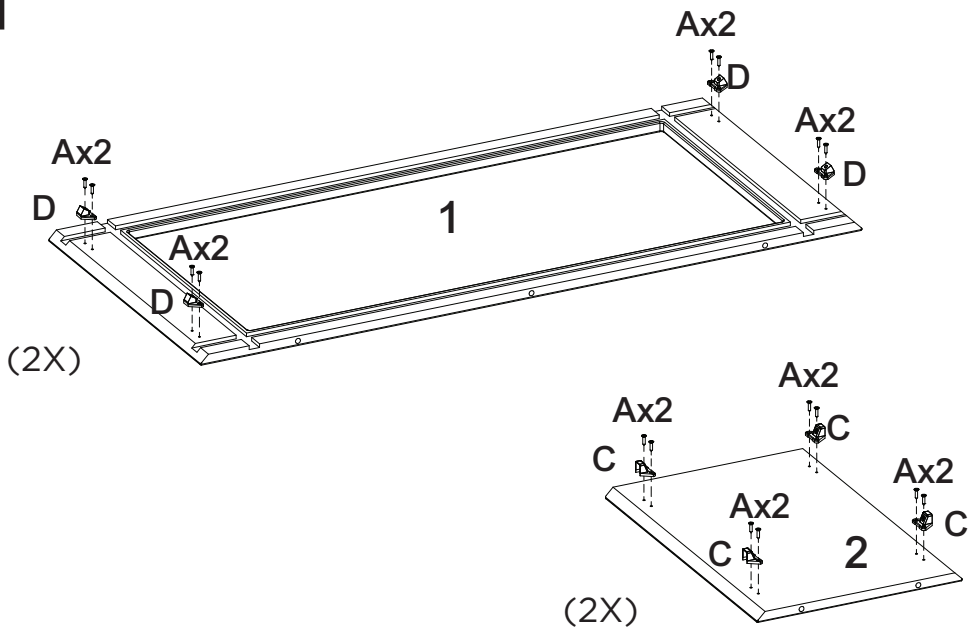


For A,E

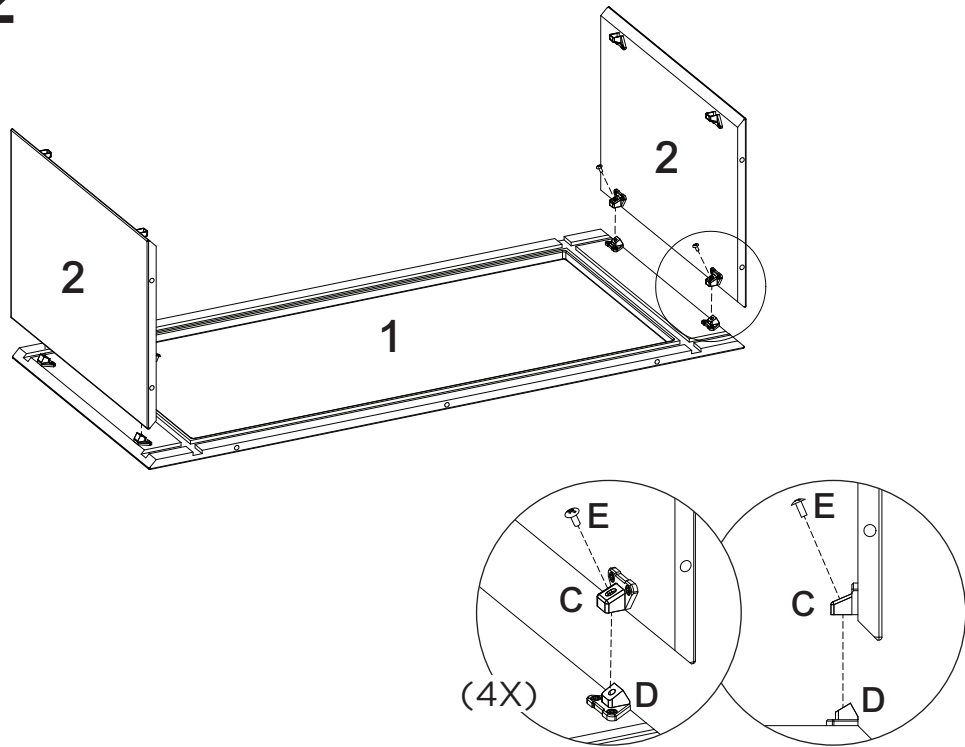


<p>3,5x16</p> <p>A x 32</p>	<p>8x30</p> <p>B x 10</p>	<p>C x 8</p>	<p>D x 8</p>	<p>E x 8</p>
------------------------------------	----------------------------------	---------------------	---------------------	---------------------

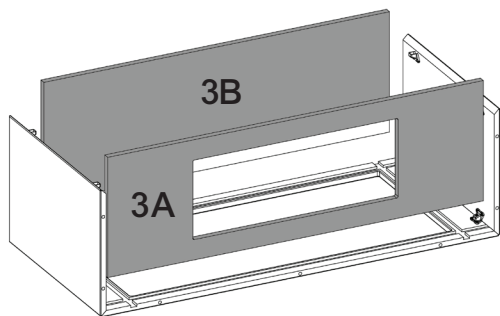
1



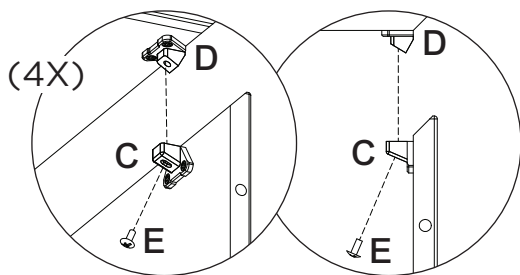
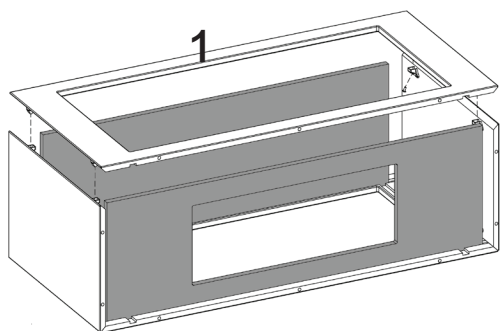
2



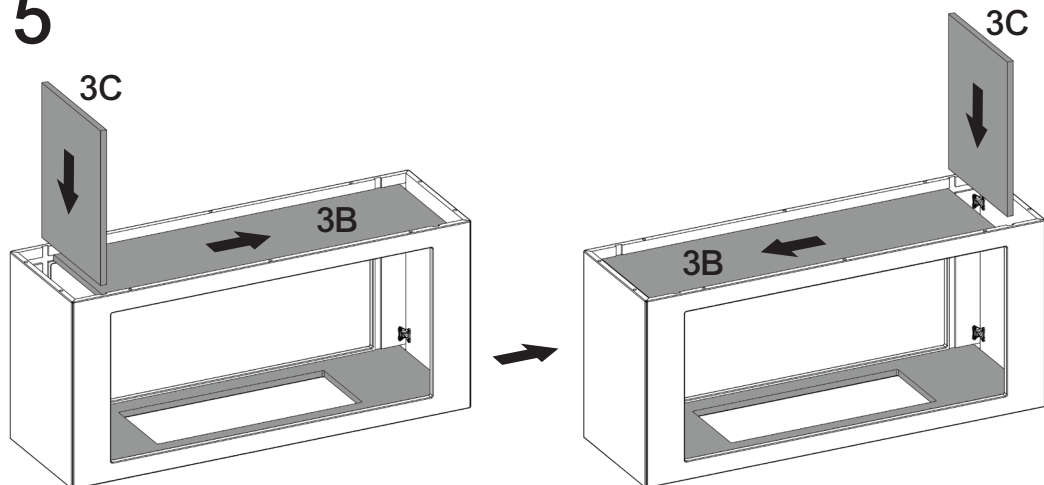
3



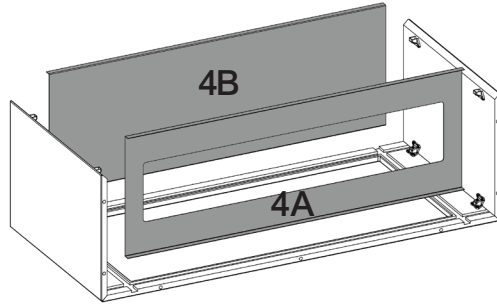
4



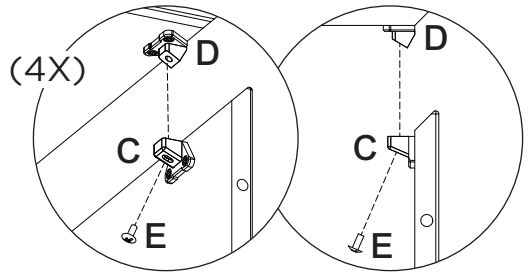
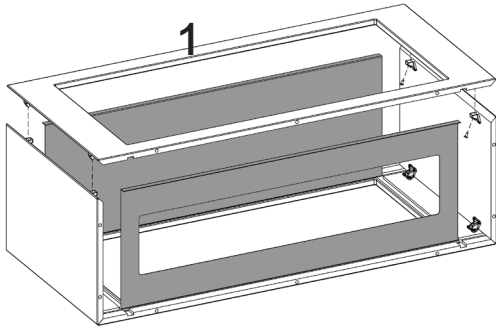
5



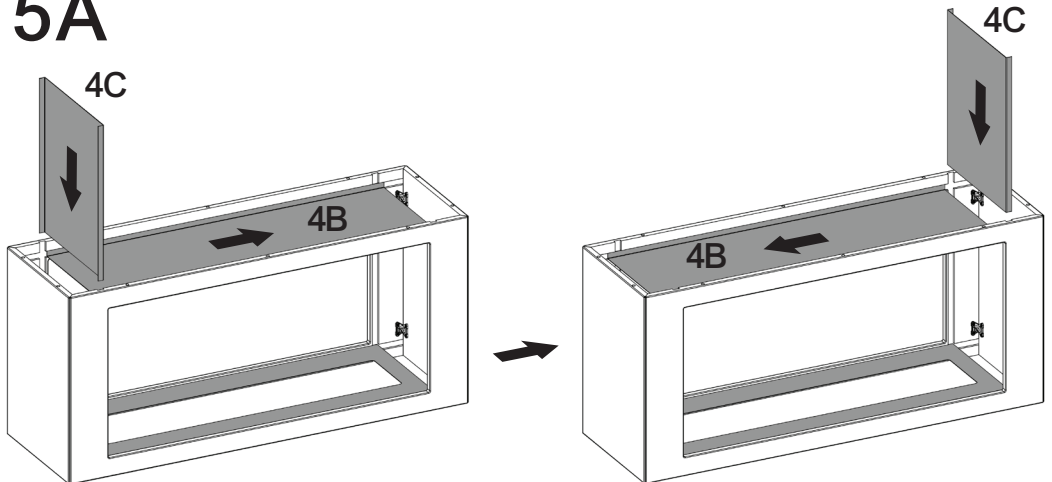
3A



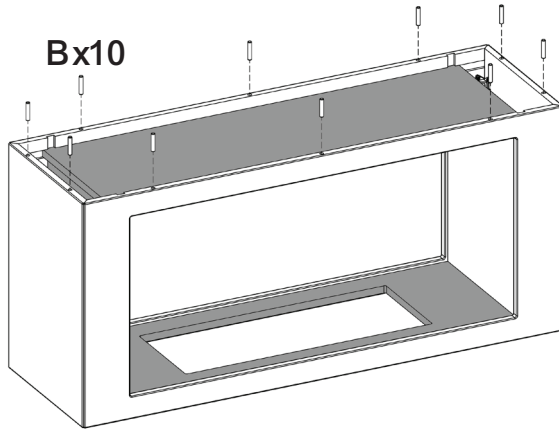
4A



5A



6



7

