

C L E A N F I R E S Y S T E M

XARALYN®

Manual Bio Ethanol Burner





User manual and safety instructions of the Xaralyn bio ethanol burner with ceramic stone, a unique, patented product by Clean fire system

*This product is only to be sold in combination with this user manual.
In case of resale of the product always include the manual.*

The Xaralyn bio ethanol burner can only be used by adults of 18 years or older, who are competent and who have read and understood this user manual with safety instructions and guidelines.

Important

- The bio ethanol burner is to be used for decorative purposes and also provides heat, but cannot be used as a primary source of heating. Observe the local legislation before using.
- The use of the bio ethanol burner as a multi-burner or open fire for liquid or solid combustible materials is not permitted.
- The bio ethanol burner is designed for inside use only.
- Not suitable for continuous operation.
- Never change the construction of the bio ethanol burner.
- It is prohibited for children, people under the influence of alcohol, drugs or medications, or people who are physically or mentally not in good condition, to use the bio ethanol burner.
- Outer surfaces and materials near the burner get hot during operation. Adequate attention is necessary, danger of burns.
- Be careful with inflammable clothes or hair.
- Never leave the fire unattended and keep children and pets a safe distance.
- Do not place inflammable material e.g. paper, cardboard, fabric (clothes) etc. on the burner or surround.
- Keep a safe distance of at least 50 cm (from the left, right and front side of the burner) to objects.
- Never move while in use!
- Only use the Xaralyn bio ethanol CL100, original decoration and spare parts of Xaralyn.
- The latch on the topside can be opened and closed using the enclosed handles.
- The use of the bio ethanol burner for burning any other material besides the Xaralyn bio ethanol may affect the warranty.
- Bio ethanol is a hazardous material of danger level UN 1987, level 3.
- Bio ethanol is highly flammable liquid and should be handled with care.
- Make sure to check the national and (or) regional regulations on how to safely store fuel.
- Bio ethanol shall be stored in a fire-safe area.
- Keep a fire-extinguisher or extinguishing blanket within reach during use.
- The bio ethanol burner is certified according to EN 16647:2015.



A fire blanket is recommended.



A fire extinguisher is recommended.



For decorative and domestic use only.



Read manual before installation and use!



Only use fuel according to the user manual.



Only use in a ventilated room.

Installation of the bio ethanol burner

Our bio ethanol burners can be placed in our extensive and varied collection of surrounds and inserts. They can also be used for your own design or existing fireplace. Please visit our website for our product range and the built-in instruction of the bio ethanol burners.

General

- Make sure that the wall/table/floor on which the bio ethanol burner is placed can carry its weight.
- The bio ethanol burner needs to be placed or hung on a heat resistant foundation or wall.
- Make sure that during installation the bio ethanol burner is levelled, both horizontally and vertically. This to make sure that liquid cannot flow out of the burner.
- Keep a safety distance of at least 50cm (from the left, right and front side of the burner) to objects.
- Keep flammable objects (e.g. curtains, furniture or bookshelves) away from the bio ethanol burner.
- Do not place the bio ethanol burner next to, underneath or on top of a windowsill. Risk of fire!
- Do not place the bio ethanol burner in a room with a constant high humidity level.
- Use the bio ethanol burner only in a draught-free room, otherwise soot can be formed.
- Make sure that all possible gas pipes near the burner are closed off.
- During use in closed spaces, enough ventilation has to be provided! In addition to carbon dioxide (CO₂) an adequate supply of fresh air should be ensured (120 cm² opening). There are requirements for the supply of fresh air quantity per type or burner. Take the minimum room size into account (see table below).
- The EN standard prescribes a maximum heating per room of 4.5Kw. A higher Kw due to the use of multiple burners has not been investigated and is therefore at own risk.

Type burner	Content ±		Size (cm)	Weight (kg)	Heat (Kw)	Room (advice) (m ³)	Consumption (± ltr. p. hr.)	Burning time (± hours)
	first filling (liters)	refill (liters)						
4114	1	0,8	41x14x8	6	ca. 2	min 55	0,30	3
4120 + Silo	1,5	1	41x20x8	9,3	ca. 2,5	min 55	0,50	3
5820	2	1,5	58x20x8	12,3 / 13,2	ca. 3	min 80	0,50	3,5
8014 + 8015	2,5	1,8	80x14x8	14,1	ca. 3,5	min 80	0,55	3,5
11814	3,5	2,5	118x14x8	18,8	ca. 4,4	min 110	0,65	3,5

Installation in a Xaralyn surround

- Check the special instructions delivered with your surround.
- Do not hang the Xaralyn surround on a wall with wallpaper or plasterboard with paper, as discolouration may occur.
- When attaching to a wall, we advise to keep a safety distance of ± 1 cm from the wall in order to ensure a natural flow of air.
- Never remove the isolation layer on the backside. Risk of fire!
- Do not put any flammable items on top of the appliance.
- After installation of the surround the bio ethanol burner can be placed in its appropriate place.

Installation in a made-to-measure project or in an existing fireplace

Please check the built-in instructions of the burners on our website www.Xaralyn.com.



Only use in draught-free surroundings.



Do not position the fireplace near combustible items.



Never move the appliance while it is in operation.

Installation of the glass screens or decoration

We advise you to use the enclosed glass screens. The glass screens can be installed on the burner with the supplied connectors. This prevents the flames from hitting the backside because of the airflow. Tighten the screws by hand and not too tight, because glass and metal expand when heated. The use of two glass screens is only necessary when using a fireplace in a doubled faced setting (without a closed backside).

- Xaralyn has developed special ceramic logsets, pebbles and basaltsplit for decoration purposes of the bio ethanol burner. Place these around the fire opening of the burner (the (white) ceramic element). The fire opening should be remained free. When decoration material is placed into the flames, unnecessary soot will be formed and an unsafe situation may arise.
- Do not use both the log set and/or pebbles at the same time with the glass screens. Risk of fire!
- When placing a bio ethanol burner against a back wall (e.g.(wall)surround), make sure the flames burn vertically at all times. This can be created by using glass, log set or pebbles.
- After use do not touch decoration material until it has cooled down for at least 30 minutes. Risk of burns!
- For safety reasons never use any other decoration material on top of the bio ethanol burner except the original Xaralyn ceramic log set or pebbles.
- In case the flames do hit the back, extinguish the fire immediately and check the servicetool and FAQ's on our website.

Caution!! Temperature of the glass screens and decoration material can reach 90°-140°C and the top of the bio ethanol burner even 200°C, when the burner is in use!

How to (re-)fill the bio ethanol burner

Xaralyn delivers its own unique fuel: Xaralyn bio ethanol CL100. Optimal use of the burner can only be guaranteed by using our bio ethanol. Never use another liquid or gel to fill or refill the bio ethanol burner, this may cause blockage or damage to the ceramic element on the inside of the burner, resulting in flames of poor quality. As a consequence, the warranty expires as well. Exceptions need to be agreed upon by Xaralyn.

Do not smoke while (re)filling or lighting the burner. Risk of explosion!

- Open the latch for one third, so the filling-opening is visible.
- Put the enclosed funnel in the filling-opening.
- Avoid physical contact with the bio ethanol, bio ethanol is highly flammable and should be handled with care.
- (Re)fill the bio ethanol burner carefully and slowly, so it cannot be overfilled.
- Pour the Xaralyn bio ethanol in the funnel until the ceramic brick is saturated.
- Make sure that the liquid level remains underneath the surface of the element: until the liquid remains visible in the opening and is not higher than the MAX sign.
- It is of great importance that the liquid never flows outside the filling opening.

- If the bio ethanol burner is overfilled, the excess fuel should be removed before lighting the bio ethanol burner.
- Spilled liquid is to be removed by using a soft absorbing cloth, and before lighting the bio ethanol burner.
- When the bio ethanol burner is filled, remove the funnel. You can now fully open the latch. The burner-opening is visible and the bio ethanol burner is ready for use.
- Warning! Never refill a hot or warm bio ethanol burner. Risk of explosion! Wait at least 30 minutes for the Xaralyn burner to cool down before refill.

When the bio ethanol burner is filled with bio ethanol for the first time, the ceramic element on the inside will be saturated completely. The liquid will always remain partly absorbed by the brick. Therefore it is necessary to use more bio ethanol the first time the burner is filled than the following times (see table on previous page).



Never overfill the appliance.



Never pour fuel into a burning appliance.



Never pour fuel into a hot appliance.



Never (re)ignite a hot appliance.



Keep pets and children at a safe distance.

Lighting the bio ethanol burner

By opening the latch the fire-opening with the ceramic brick becomes visible. The bio ethanol burner can now be lit by using a long lighter or a long matchstick.

- Warning! In case the flames hit the back of the insert extinguish the fire immediately and check the troubleshooting section and/or FAQ's on our website.
- Risk of fire! There should never be fire outside the fire-opening. This is dangerous and can also cause the insert to de-form and damage the paint of the insert.
- The flames cannot be adjusted by using the latch, this should always be completely open during usage to prevent damage to or bending of the latch.

Extinguish the bio ethanol burner

The bio ethanol burner is to be extinguished using the latch. It is also possible to order a separate cover plate for this purpose. To prevent the bio ethanol from evaporating, keep the latch closed when the burner is not in use.

Maintenance

When the bio ethanol burner has been used very often, discolorations on the top can occur. This is normal and does not harm the quality of the product. Do not use an abrasive product for cleaning the insert. Clean the surfaces with a moist piece of cloth (black bio ethanol burners) or a non-abrasive stainless steel cleanser (stainless steel bio ethanol burners). Glass screens can be cleaned with a ceramic cook top cleaner.

Check the outer case regularly for fuel overflow:

- Remove the outer case of the bio ethanol burner.
- If the wool inside the outer case is wet, empty the box and wait until the wool is dry again.
- Put it together again.

Building-in

The bio ethanol burners can be combined with one of the many surrounds of the Xaralyn collection, and can easily be placed and moved. No special adjustments are necessary for the installation. Our burners can also be used in existing fireplaces or in other creative custom made situations. This manual contains instructions for correct and safe handling and building in.

Recommended building materials

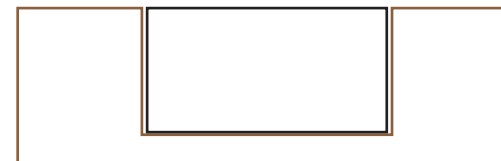
- Promafour® plate
- Promatect® plate
- Super-isol plate
- Promaglaf® isolation blanket
- Insulfrax isolation blanket

Or other fire resistant building materials.

Building in without built-in profile or unit

Recess for bio ethanol burner without lip:

S (4114)	409 x 137 x 80 mm (lxwxh)
M (4120)	405 x 200 x 80 mm (lxwxh)
L (5820)	577 x 200 x 80 mm (lxwxh)



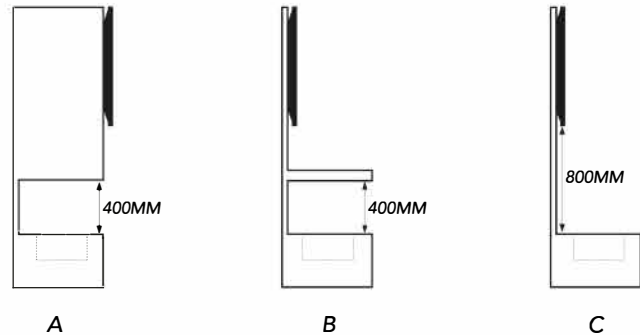
Recess for bio ethanol burner with lip:

S (4114L)	409 x 137 x 80 mm (lxwxh)	Top plate: 429 x 159 mm
L (5820)	575 x 200 x 80 mm (lxwxh)	Top plate: 597 x 220 mm
XL (8014LS)	800 x 137 x 80 mm (lxwxh)	Top plate: 820 x 157 mm
XXL (11814LS)	1180 x 137 x 80 mm (lxwxh)	Top plate: 1200 x 157 mm



Instructions for building in a bio ethanol burner

- The recess for the burner should be made of a heat resistant material, special profiles are available for situations where used material does not meet this requirement.
- Make sure the material used on top, back- and sidewalls of the burner is heat resistant.
- Keep a safe distance of at least 400 mm above the bio ethanol burner and minimal 50 mm on the sides.
- In case a television is placed directly above the burner, we recommend a safety distance of at least 800 mm. Always ask your TV supplier whether your TV is suitable for hanging above a fireplace.
- After the bio ethanol burner is placed in the recess make sure the bio ethanol burner is levelled.



Quick trouble shooter

problem	possible cause	solution
formation of soot	wrong fuel	ONLY use Xaralyn CL100
formation of soot	fire-opening is covered with decoration material	make sure the fire opening is free of decoration material
burning time too short	wrong fuel (e.g. gel, methylated spirit)	ONLY use Xaralyn CL100
burning time too short	burner has not been filled completely	extinguish the burner. Let it cool down for at least 30 minutes and then refill
flames too high	wrong fuel (e.g. gel, methylated spirit) or draught	ONLY use Xaralyn CL100 prevent draught
flames too low, not visible	burner has not been filled completely	extinguish the burner. Let it cool down for at least 30 minutes and then refill
flames too low, not visible	fuel is almost used up	extinguish the burner. Let it cool down for at least 30 minutes and then refill
flames do not disappear after the latch has been closed	occurs with larger burner when it is in the middle of the burning time. Ethanol damp then seeks a way out.	open the latch and quickly close it again to refrain the oxygen supply. This can also easily be blown out

Please visit our website for more extensive problem solving.

Warranty

The warranty on this product is 30 years. Any change and/or alteration to the insert, surface or burner is unacceptable and will cause the warranty to expire.

Xaralyn reserves the right to make any technical alterations in order to improve the characteristics and/or safety of the product. Xaralyn cannot be held responsible for possible damages or personal injuries caused by misuse or incompetent use of the bio ethanol burner.

Xaralyn thanks you for the confidence in our product and wishes you many years of enjoyment with your purchase.



Gebruiksaanwijzing en veiligheidsinstructies van de Xaralyn bio ethanol brander met keramische steen een uniek gepatenteerd product van Clean fire system

*Dit product mag alleen worden verkocht in combinatie met deze handleiding.
In geval van wederverkoop dient deze handleiding altijd te worden toegevoegd.*

De Xaralyn bio ethanol brander mag uitsluitend door meerderjarige en bevoegde personen gebruikt worden welke deze gebruiksaanwijzing met veiligheidsinstructies gelezen en begrepen hebben en de aangegeven richtlijnen toepassen.

Belangrijk

- De bio ethanol brander heeft een decoratieve functie en geeft ook warmte af, echter deze kan niet als hoofdverwarming worden gebruikt. Lees de lokale wetgeving voor gebruik.
- Het gebruik van de bio ethanol brander als vuurplaats, open haard of allesbrander voor het verbranden van vloeibare of vaste brandbare materialen is niet toegestaan.
- De bio ethanol brander is ontworpen voor gebruik binnenshuis.
- Niet geschikt voor continu gebruik.
- De constructie van de bio ethanol brander mag nooit veranderd worden
- Gebruik van de bio ethanol brander door kinderen is verboden evenals het gebruik door een volwassene onder invloed van drank, drugs of geneesmiddelen dan wel niet in goede psychische of fysieke staat is.
- Oppervlak van de brander wordt heet tijdens gebruik. Gepaste aandacht is vereist, gevaar voor brandwonden.
- Pas op met brandbare kleding en haren.
- Laat het vuur nooit onbeheerd achter en houdt kinderen en huisdieren op veilige afstand.
- Plaats geen licht ontvlambare materialen als papier, karton, stof (kleding) etc. op de brander of schouw.
- Houd een afstand van minimaal 50 cm (zowel aan de linker-, de rechterzijde als aan de voorzijde) van brandbare materialen.
- Verplaats de brander nooit tijdens gebruik!
- Gebruik alleen Xaralyn brandvloeistof CL100, originele decoratiematerialen en onderdelen.
- De schuif aan de bovenkant kan worden geopend en gesloten met de meegeleverde pookjes.
- Het gebruik van de bio ethanol brander voor het branden van enig ander product dan de Xaralyn CL100 brandvloeistof kan gevolgen hebben voor de garantie.
- Bio ethanol valt onder de groep gevaarlijke stoffen en gevaarklasse UN 1987, klasse 3.
- Bio ethanol is een licht ontvlambare vloeistof, gepaste aandacht is vereist.
- Lees de nationale en (of) regionale wetgeving over het veilig opslaan van brandbare vloeistof.
- Bio ethanol moet worden opgeslagen in een brandveilige ruimte.
- Zorg er tijdens gebruik voor dat u een blusapparaat of blusdeken binnen handbereik heeft.
- De bio ethanol brander is gecertificeerd volgens de EN 16647:2015 norm.



Branddeken wordt aangeraden.



Brandblusser wordt aangeraden.



Alleen geschikt voor huiselijk en decoratief gebruik.



Lees voor installatie en gebruik de gebruiksaanwijzing!



Gebruik vloeistof alleen zoals beschreven in handleiding.



Gebruik alleen in goed geventileerde ruimte.

Installatie van de bio ethanol brander

Onze bio ethanol branders kunnen worden geplaatst in onze uitgebreide collectie haarden en inzethaarden. Ze kunnen ook worden toegepast in uw eigen ontwerp of bestaande open haard. Bezoek onze website voor ons assortiment en de inbouw instructies voor de bio ethanol branders.

Algemeen

- Zorg ervoor dat de muur/tafel/vloer waarop de bio ethanol brander wordt geplaatst het gewicht kan dragen.
- De bio ethanol brander mag alleen op een vuurvaste ondergrond of wand geplaatst of gehangen worden.
- De bio ethanol brander dient zowel in horizontale als verticale stand waterpas geplaatst te worden, zodat er geen mogelijkheid is dat de brandvloeistof eruit loopt.
- Houd een veilige afstand van tenminste 50cm (zowel aan de linker-, de rechterzijde als aan de voorzijde) van andere objecten.
- Houd brandbare materialen als gordijnen, meubilair en boekenplanken uit de buurt van de bio ethanol brander.
- De bio ethanol brander niet naast of onder een vensterbank plaatsen. Brandgevaar!
- Plaats de bio ethanol brander niet in een ruimte met een constant hoge luchtvochtigheid.
- Gebruik de bio ethanol brander alleen in een tochtvrije ruimte, dit ter voorkoming van roetvorming.
- Zorg er voor dat eventuele gasleidingen in de buurt van de bio ethanol brander zijn afgesloten.
- Bij gebruik van de bio ethanol brander is een gesloten ruimte, dient u voor voldoende ventilatie te zorgen!
Ter aanvulling van kooldioxide (CO2) dient u zorg te dragen voor voldoende toevoer van frisse lucht (opening minimaal 120cm²). In onderstaande tabel staan de aanbevelingen met betrekking tot de minimale grootte van de ruimte, deze verschilt per type brander.
- De EN norm schrijft een maximale verwarming per kamer voor van 4.5Kw. Hogere waarden door het gebruik van meerdere branders zijn niet onderzocht en is daarom op eigen risico.

type brander	± eerste vulling (liters)	± na-vulling (liters)	afmetingen (cm)	gewicht (kg)	warmte (advies) (Kw)	kamer inhoud (m ³)	verbruik (± ltr. per uur)	brandduur (± uren)
4114	1	0,8	41x14x8	6	ca. 2	min 55	0,30	3
4120 + Silo	1,5	1	41x20x8	9,3	ca. 2,5	min 55	0,50	3
5820	2	1,5	58x20x8	12,3 / 13,2	ca. 3	min 80	0,50	3,5
8014 + 8013	2,5	1,8	80x14x8	14,1	ca. 3,5	min 80	0,55	3,5
11814	3,5	2,5	118x14x8	18,8	ca. 4,4	min 110	0,65	3,5

Installatie in een Xaralyn haard of ombouw

- Controleer de instructies zoals geleverd bij uw haard of ombouw.
- Hang een Xaralyn haard of ombouw nooit aan een wand met behang of gipsplaat om verkleuring te voorkomen.
- Bij wandmontage adviseren wij een veiligheidsafstand van ± 1 cm tot de wand, zodat er een natuurlijke luchtstroom kan plaatsvinden.
- De isolatieplaat (inzethaard) aan de achterkant nooit verwijderen. Brandgevaar!
- Plaats geen brandbare objecten op de brander.
- Na de installatie van de haard kan de bio ethanol brander in de voor de brander bestemde ruimte worden geplaatst.

Installatie in een project op maat of een bestaande open haard

Zie hiervoor de inbouw instructies zoals op onze website www.Xaralyn.com.



Gebruik alleen in tochtvrije ruimte.



Plaats geen brandbare objecten in buurt van brander.



Verplaats de brander nooit tijdens gebruik.

Plaatsing van de glasschermen of decoratie

Wij raden u aan gebruik maken van de bijbehorende glasschermen. Deze kunt u op de brander monteren met de meegeleverde koppelstukjes. Hierdoor wordt voorkomen dat de vlammen door de luchtstroom tegen de achterwand van de haard slaan. De schroefjes van de connectoren niet te vast aandraaien, glas en metaal zetten namelijk uit bij hitte. Plaatsing van glasschermen aan beide zijden is alleen nodig bij doorkijkhaarden (zonder achterwand).

- Xaralyn heeft speciale houtsets, kiezels en split ontwikkeld ter decoratie van de bio ethanol brander. Plaats deze rond de opening van de brander (de witte) keramische steen), het brandoppervlak dient te allen tijde vrij te blijven. Wanneer decoratiemateriaal in de vlammen wordt geplaatst, zal roetvorming kunnen optreden en kan er bovendien een onveilige situatie ontstaan.
- Geen decoratieset en glasschermen tegelijk plaatsen; dus decoratiemateriaal óf glas gebruiken. Brandgevaar!
- Zorg er bij plaatsing van een bio ethanol brander tegen een achterwand (bijv. schouw of wandhaard) voor dat de vlammen te allen tijde verticaal branden. Dit kan met behulp van de glasschermen of ander decoratiemateriaal.
- Raak na gebruik het decoratiemateriaal pas na een afkoeltijd van minimaal 30 minuten aan, verbrandingsgevaar!
- Gebruik uit veiligheidsoverwegingen nooit andere materialen dan de originele decoratiematerialen van Xaralyn ter decoratie van de bio ethanol brander.
- Zorg ervoor dat de vlammen nooit in direct contact met de achterwand van uw haard komen, wanneer dit het geval is, doof de haard onmiddellijk en raadpleeg de servicetool en FAQ's op onze website.

Voorzichtig!! De temperatuur van de glasschermen en decoratiemateriaal kan tijdens gebruik 90°-140°C en de afdekplaat van de bio ethanol brander zelfs wel 200°C worden!

Het (bij-)vullen van de bio ethanol brander

Xaralyn levert haar eigen unieke vloeistof: Xaralyn bio ethanol CL100. Een optimale werking van de brander kan alleen worden gegarandeerd bij gebruik van deze bio ethanol. Gebruik nooit een andere vloeistof of gel om de bio ethanol brander vullen, hierdoor kan verstopping of schade aan de keramische steen ontstaan met een mindere kwaliteit vuurbeeld tot gevolg. Tevens vervalt hierdoor de garantie. Uitzonderingen hierop ter beoordeling door Xaralyn.

Niet roken tijdens het (bij-)vullen of aansteken van de brander. Explosiegevaar!

- Open de schuiflade voor een derde, zodat de vulopening vrijkomt.
- Plaats de meegeleverde trechter in de vulopening.
- Vermijd huidcontact met de bio ethanol, bio ethanol is licht ontvlambaar waardoor er voorzichtig mee dient om te worden omgegaan.
- (Her-)vul de bio ethanol brander voorzichtig en niet te snel, zodat deze niet overvuld kan worden.
- Giet de Xaralyn bio ethanol in de trechter totdat de steen verzadigd is.

- Vul de brander niet hoger dan het oppervlak van de brander; tot er vloeistof in de opening blijft staan en niet hoger dan de MAX aanduiding.
- Let op! Zorg ervoor dat de vloeistof nooit buiten de vulopening komt!
- Wanneer de brander overvuld is, dient de overtollige bio ethanol verwijderd te worden voordat de brander aangestoken wordt.
- Indien er vloeistof is gemorst kan deze met een zachte absorberende doek worden opgenomen, voordat de brander wordt aangestoken.
- Wanneer de bio ethanol brander gevuld is kan de trechter worden verwijderd. De schuiflade kan nu volledig worden geopend. De brandopening is nu zichtbaar en de brander is klaar voor gebruik.
- Waarschuwing! Nooit een hete/warme bio ethanol brander bijvullen. Explosiegevaar! Laat de bio ethanol brander ten minste 30 minuten afkoelen alvorens deze bij te vullen.

Tijdens de eerste keer vullen wordt de keramische steen verzadigd met bio ethanol. De brandvloeistof zal altijd voor een deel opgenomen blijven door de keramische steen. Om deze reden wordt de eerste keer meer vloeistof gebruikt dan bij het navullen. Hoeveel bio ethanol de verschillende branders gebruiken ziet u in de tabel op de vorige pagina.



Brander nooit overvullen.



Nooit vullen wanneer de brander aan staat.



Nooit vullen wanneer de brander nog heet is.



Steek nooit een hete brander aan.



Houd huisdieren en kinderen op veilige afstand.

Aansteken van de bio ethanol brander

Wanneer de schuif volledig wordt geopend is de keramische steen zichtbaar. De bio ethanol brander kan nu worden aangestoken met een aansteker of lange lucifer.

- Waarschuwing! Wanneer vlammen tegen de achterzijde van de haard branden moet het vuur onmiddellijk worden gedoofd. Controleer vervolgens de afdeling klantenservice en/of de FAQ's op onze website om het probleem op te lossen.
- Brandgevaar! Er mag nooit vuur ontstaan buiten de vuuropening. Dit is gevaarlijk en kan tot vervorming en afbladderen van de verf leiden.
- De schuiflade is geen vlamregulator, deze moet tijdens gebruik altijd volledig geopend zijn om schade aan of het buigen van de schuif te voorkomen.

Het doven van de bio ethanol brander

De bio ethanol brander wordt gedoofd door middel van het sluiten van de schuiflade. Ook is het mogelijk een aparte doofplaat hiervoor te bestellen. Wanneer de bio ethanol brander niet wordt gebruikt is de schuiflade gesloten (ter voorkoming van het verdampen van de bio ethanol).

Onderhoud

Na veelvuldig gebruik kunnen er aan de bovenkant van de bio ethanol brander verkleuringen ontstaan. Dit is normaal en is geen kwaliteitsvermindering. Gebruik geen schuurmiddel voor het reinigen van de bio ethanol brander. Reinig het oppervlak met een vochtige doek (zwarte bio ethanol branders) of een schuurvrije RVS reiniger (RVS bio ethanol branders). De glasschermen kunnen worden gereinigd met keramische kookplaatreiniger.

Controleer de buitenbak regelmatig op gemorste vloeistof:

- Haal de bio ethanol brander uit de buitenbak.
- Wanneer de wol in de buitenbak vochtig is: droog de buitenbak en wacht totdat de wol droog is.
- De bio ethanol brander kan nu worden teruggeplaatst in de buitenbak.

Inbouwen branders

De bio ethanol branders zijn te combineren met een schouw uit de ruime Xaralyn collectie, en kunnen eenvoudig worden geplaatst en verplaatst. Er zijn geen speciale aanpassingen noodzakelijk voor de installatie. Tevens kunnen de branders worden toegepast in een bestaande haard of in eigen creatieve maatwerk toepassingen.

Aanbevolen bouwmaterialen

- Promafour® plaat
- Promatect® plaat
- Super-isol plaat
- Promaglaf® isolatiedeken
- Insulfrax isolatiedeken

Of andere hittebestendige bouwmaterialen.

Inbouwen zonder inbouwunit of inbouwprofiel

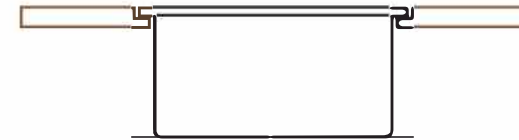
Uitsparing bij gebruik van losse branders zonder lip:

S (4114)	412 x 142 x 78 mm (lxbxh)
M (4120)	410 x 204 x 78 mm (lxbxh)
L (5820)	580 x 204 x 78 mm (lxbxh)



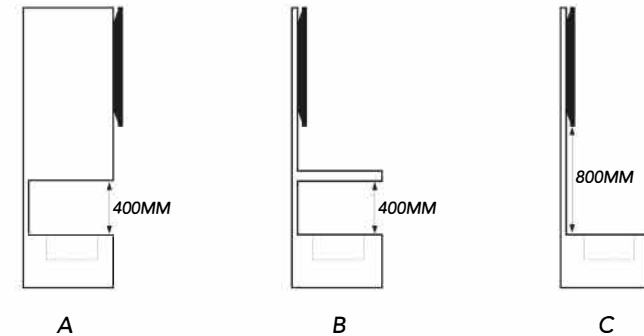
Uitsparing bij gebruik van losse branders met lip:

S (4114L)	411 x 139 x 78 mm (lxbxh)	Bovenplaat: 431 x 159 mm
L (5820)	577 x 202 x 79 mm (lxbxh)	Bovenplaat: 600 x 224 mm
XL (8014LS)	803 x 139 x 80 mm (lxbxh)	Bovenplaat: 823 x 159 mm
XXL (11814LS)	1184 x 141 x 78 mm (lxbxh)	Bovenplaat: 1204 x 161 mm



Instructies voor inbouw van losse branders zonder inbouwunit of profiel

- De uitsparing dient te worden gemaakt van hittebestendig materiaal, speciale profielen zijn beschikbaar voor situaties waar het gebruikte materiaal hieraan niet voldoet.
- Zorg ervoor dat het materiaal aan de boven-, zij- en achterkant van de brander van hittebestendig materiaal is.
- Houdt voor de veiligheid een minimale hoogte van 400mm boven de brander aan en minimaal 50 mm aan de zijkanten.
- Wanneer een televisiescherm direct boven de brander wordt geplaatst adviseren wij een veilige afstand van ten minste 800 mm. Vraag altijd uw TV leverancier of uw TV geschikt is om boven een haard te hangen.
- Zorg ervoor dat de bio ethanol brander na plaatsing waterpas staat.



Probleem oplossen

Probleem	mogelijke oorzaak	oplossing
roetvorming	verkeerde brandstof	gebruik uitsluitend Xaralyn CL100
roetvorming	brandoppervlak is bedekt met decoratiemateriaal	brandoppervlak vrijmaken
brandtijd te kort	verkeerde brandstof (bijv. gel, spiritus)	gebruik uitsluitend Xaralyn CL100
brandtijd te kort	haard is niet volledig afgevuld	doof de brander, minimaal 30min. laten afkoelen. Vullen en weer gebruiken.
vlammen te hoog	verkeerde brandstof (bijv. gel, spiritus) of tocht	gebruik uitsluitend Xaralyn CL100 voorkom tocht
vlammen te laag, amper zichtbaar	brander is niet volledig afgevuld	doof de brander, minimaal 30min. laten afkoelen. Vullen en weer gebruiken.
vlammen te laag, amper zichtbaar	brandstof is bijna op	doof de brander, minimaal 30min. laten afkoelen. Vullen en weer gebruiken.
vlammen doven niet na het sluiten van de schuif	komt bij grotere brander voor wanneer deze midden in de brandtijd zit. ethanoldamp zoekt dan een uitweg.	schuif openen en daarna in een snelle beweging sluiten zodat zuurstoftoevoer wordt afgesloten. Ook kan dit eenvoudig worden uitgeblazen

Voor uitgebreidere probleemoplossing verwijzen wij u naar onze website.

Garantie

U heeft 30 jaar garantie op uw aankoop. Wijzigingen of veranderingen aan de ombouw of de brander zijn niet toelaatbaar, hierdoor vervalt iedere vorm van garantie.

Veranderingen, ofwel technische veranderingen in het kader van een verbetering van het product en zijn eigenschappen/veiligheid zijn te allen tijde voorbehouden aan Xaralyn. Xaralyn kan niet aansprakelijk worden gesteld voor mogelijke schade of persoonlijk letsel veroorzaakt door misbruik of verkeerd gebruik van de bio ethanol brander.

Xaralyn bedankt u voor het vertrouwen in ons product en wenst u vele jaren plezier met uw aankoop.



Bedienungsanleitung und Sicherheitshinweise des Xaralyn Bioethanolbrenners mit Keramikstein ein einzigartiges patentiertes Produkt von Clean fire system

Dieses Produkt darf nur zusammen mit dieser Anleitung verkauft werden.

Im Falle eines Weiterverkaufs muss diese Anleitung immer beigelegt werden.

Der Xaralyn Bioethanolbrenner darf nur von Erwachsenen und befugten Personen benutzt werden, die diese Bedienungsanleitung mit den Sicherheitshinweisen und Richtlinien gelesen und verstanden haben.

Wichtig

- Den Bioethanolbrenner hat eine dekorative Funktion und gibt auch Wärme ab, kann aber nicht als Hauptheizung verwendet werden. Lesen Sie die lokale Gesetzgebung vor dem Gebrauch.
- Die Verwendung des Bioethanolbrenners als offenes Feuer für Flüssigkeiten oder andere brennbare Materialien ist verboten.
- Den Bioethanolbrenner ist für die Verwendung im Innenbereich entwickelt.
- Nicht für den Dauereinsatz geeignet.
- Die Konstruktion des Bioethanolbrenners darf nie geändert werden.
- Die Verwendung des Bioethanolbrenners durch Kinder ist verboten, wie auch von Erwachsenen, die unter dem Einfluss von Alkohol, Drogen oder Medikamenten stehen oder nicht in guter psychischer oder physischer Verfassung ist.
- Die Oberfläche des Brenners wird während des Betriebs heiß. Aufmerksamkeit ist erforderlich, denn es besteht Verbrennungsgefahr.
- Vorsicht mit brennbarer Kleidung und Haaren.
- Das Produkt nicht unbeaufsichtigt lassen! Lassen Sie keine Kinder oder Haustiere allein in der Nähe des Brenners.
- Stellen Sie keine brennbaren Materialien wie Papier, Karton, Stoff (Kleidung) usw. auf den Brenner oder den Kamin.
- Halten Sie einen Sicherheitsabstand von mindestens 50 cm (links, rechts und vorne) von brennbaren Materialien.
- Bewegen sie den Brenner niemals während des Betriebs!
- Verwenden Sie nur Brennflüssigkeit CL100, originale Dekorationsmaterialien und Ersatzteile von Xaralyn.
- Die Öffnung kann mit den mitgelieferten Stäben geöffnet und geschlossen werden.
- Die Verwendung des Bioethanolbrenner zur Verbrennung von anderen Materialien als der Xaralyn CL100 Bremsflüssigkeit kann die Garantie beeinträchtigen.
- Bioethanol fällt unter die Gruppe der gefährlichen Stoffe und der Gefahrenklasse WGK UN 1987, Klasse 3.
- Bioethanol ist eine leicht entzündliche Flüssigkeit, daher ist besondere Vorsicht geboten.
- Kontrollieren sie nationale und (oder) regionale Rechtsvorschriften zur sicheren Lagerung brennbarer Flüssigkeiten.
- Bioethanol muss in einem feuerfesten Raum gelagert werden.
- Vergewissern sie sich, dass immer eine Feuerlöschdecke oder einen Feuerlöscher in der Nähe des Brenners ist, wenn dieser in Gebrauch ist.
- Der Bioethanolbrenner ist nach der Norm EN 16647:2015 zertifiziert.



Eine Feuerlöschdecke wird empfohlen.



Ein Feuerlöscher wird empfohlen.



Nur für den häuslichen und dekorativen Gebrauch.



Vor Benutzung die Bedienungsanleitung lesen!



Verwenden Sie nur Bremsflüssigkeit, wie in dieser Bedienungsanleitung beschrieben.



Nur in gut belüfteten Räumen verwenden..

Installation des Bioethanolbrenner

Unsere Bioethanolbrenner können in Kamine oder Einsätze aus unserer umfangreichen Kollektion installiert werden. Sie können aber auch in eigene Projekte oder bestehende Kamine eingesetzt werden. Besuchen Sie unsere Website für unsere Kollektion und die Anleitung für Einbau eines Bioethanolbrenners.

Allgemeines

- Stellen Sie sicher, dass die Wand, der Tisch oder Boden, auf der der Bioethanolbrenner platziert werden das Gewicht des Brenner tragen kann.
- Den Bioethanolbrenner nur auf feuerfestem Untergrund aufstellen oder an hitzebeständigen Wänden montieren.
- Der Bioethanolbrenner muss sowohl bei Wand- oder Bodenmontage genau in waagerechter und senkrechter Richtung montiert werden, damit keine Möglichkeit entsteht dass die Flüssigkeit aus dem Brenner heraus auslaufen kann.
- Halten Sie einen Sicherheitsabstand von mindestens 50 cm (links, rechts und vorne) von andere Objekte.
- Halten Sie brennbare Materialien wie Vorhänge, Möbel und Bücherregale oder andere brennbare Materialien fern vom Bioethanolbrenner.
- Den Bioethanolbrenner nicht neben oder unterhalb von Fenstern verwenden. Brandgefahr!
- Stellen Sie den Bioethanolbrenner nicht in einem Raum mit konstant hoher Luftfeuchtigkeit auf.
- Nur in zugluftfreien Räumen verwenden, anderenfalls kann sich Ruß bilden.
- Stellen Sie sicher, dass alle Gasleitungen in der Nähe des Bioethanolbrenner zu gedreht sind.
- Bei Verwendung des Bioethanolbrenner in ein geschlossener Raum, müssen Sie für eine ausreichende Belüftung sorgen! Da Kohlendioxid (CO₂) entsteht müssen sie zusätzlich für eine ausreichende Frischluftzufuhr (mindestens 120 cm² Öffnung) sorgen. Die folgende Tabelle zeigt die Empfehlungen in Bezug auf die Mindestgröße des Raums, für die verschiedenen Typen von Bioethanolbrennern.
- Die EN-Norm schreibt eine maximale Heizleistung pro Raum von 4,5 kW/h vor. Höhere Werte durch die Verwendung von mehrerer Brennern wurde hierbei nicht untersucht und gehen daher auf Ihr eigenes Risiko.

Brennertyp	±Erste Befüllung (Liter)	± Nachfüllen (Liter)	Abmessung (cm)	Gewicht (kg)	Wärmeabgabe (kW/h)	Raumgröße (m ³)	Verbrauch (± l/h)	Brennzeit (± Stunden)
4114	1	0,8	41x14x8	6	ca. 2	min 55	0,30	3
4120 + Silo	1,5	1	41x20x8	9,3	ca. 2,5	min 55	0,50	3
5820	2	1,5	58x20x8	12,3 / 13,2	ca. 3	min 80	0,50	3,5
8014 + 8013	2,5	1,8	80x14x8	14,1	ca. 3,5	min 80	0,55	3,5
11814	3,5	2,5	118x14x8	18,8	ca. 4,4	min 110	0,65	3,5

Installation in einen Kamin von Xaralyn

- Lesen sie die Gebrauchsanweisung, die mit Ihrem Kamin mitgeliefert werden.
- Um Verfärbungen zu vermeiden, hängen Sie niemals einen Kamin von Xaralyn direkt an eine Wand mit Tapete oder Gipskarton.
- Für die Wandmontage empfehlen wir einen Sicherheitsabstand von ± 1 cm zur Wand, damit eine natürliche Luftzirkulation stattfinden kann.
- Entfernen Sie niemals die Isolierplatte auf der Rückseite. Brandgefahr!
- Stellen Sie keine brennbaren Gegenstände auf den Brenner.
- Nach Aufstellen bzw. Einbau des Kamins kann der Bioethanolbrenner in die für den Brenner entsprechende Aussparung gestellt werden.

Installation in ein eigenes entworfenes Project oder bestehenden Kamin

Siehe die Installationsanweisungen auf unserer Website www.Xaralyn.com.



Nur in zugfreier Umgebung verwenden.



Stellen Sie den Kamin/Brenner nicht in der Nähe von brennbaren Gegenständen auf.



Bewegen Sie den Brenner niemals während dieser in Betrieb ist.

Installation der Glasplatten und des Dekorationsmaterials

Wir empfehlen ihnen, die beim Brenner mitgelieferten Glasplatten zu verwenden. Sie können diese mit den mitgelieferten Halterungen am Brenner montieren. Dies verhindert, dass die Flammen durch den Luftstrom gegen die Rückwand des Kamins schlagen. Ziehen Sie die Schrauben der Anschlüsse nicht zu fest an, da sich Glas und Metall bei Hitze ausdehnen. Das Anbringen von Glasscheiben auf beiden Seiten ist nur für Durchsichtkamine (ohne Rückwand) notwendig.

- Xaralyn hat spezielle Holzsätze, Kiesel und Basaltsplit für die Dekoration des Bioethanolbrenners entwickelt. Legen Sie diese nur rund herum um die Öffnung des Brenners. Der Brennerschlitz sollte immer frei bleiben. Wenn Dekorationsmaterial direkt in den Flammen platziert wird, kann Rußbildung auftreten und so eine gefährliche Situation entstehen.
- Nicht gleichzeitig ein Dekorationsset und Glasscheiben verwenden. Verwenden sie entweder Dekorationsmaterial oder Glas. Brandgefahr!
- Bei der Montage eines Bioethanolbrenner an eine Wand (z. B. Schornstein oder Hängeofen), stellen sie sicher, dass die Flammen immer vertikal brennen. Dies kann mit Hilfe der Glasscheiben oder anderem Dekorationsmaterial erreicht werden.
- Berühren Sie das Dekorationsmaterial erst nach einer Abkühlzeit von mindestens 30 Minuten nach dem Gebrauch. Verbrennungsgefahr!
- Verwenden Sie aus Sicherheitsgründen nur originale Dekorationsmaterialien von Xaralyn.
- Stellen Sie sicher, dass die Flammen niemals in direkten Kontakt mit der Rückwand Ihres Kamins kommen. Sollte dies der Fall sein, löschen sie sofort den Brenner und informieren sich beim Service-Tool oder den FAQ's auf unserer Website.

Vorsicht!!! Die Temperatur der Glasscheiben und des Dekorationsmaterials kann während des Gebrauchs bis zu 90 ° - 140 °C betragen und die Abdeckplatte des Bioethanolbrenners kann sogar 200 °C erreichen

Befüllen und nachfüllen des Bioethanolbrenners

Xaralyn liefert seine eigen entwickelte Brennflüssigkeit: Xaralyn Bioethanol CL100. Ein optimaler Betrieb des Brenners kann nur bei Verwendung dieses Bioethanols gewährleistet werden. Verwenden Sie niemals andere Flüssigkeiten oder Gele um Bioethanolbrenner zu füllen, da dies zu Verstopfung oder Beschädigung des Keramikstein führen kann und zu einem minderwertigen Flammenbild führt. Dadurch verfällt auch die Garantie des Bioethanolbrenners von Xaralyn. Ausnahmen erfolgen durch Überprüfung von Xaralyn.

Beim Befüllen oder Nachfüllen oder Anzünden des Brenners nicht rauchen. Explosionsgefahr!

- Öffnen Sie die Schublade für ein Drittel, damit die Einfüllöffnung sichtbar wird.
- Stellen Sie den mitgelieferten Trichter in die Einfüllöffnung.
- Vermeiden Sie Hautkontakt mit Bioethanol, denn Bioethanol ist leicht entflammbar und erfordert eine sorgfältige Handhabung.
- Füllen Sie den Brenner vorsichtig und nicht zu schnell, damit er nicht überfüllt werden kann.
- Füllen sie das Bioethanol von Xaralyn in den Trichter, bis der Stein gesättigt ist.
- Achten Sie darauf, dass die Flüssigkeit unter der Oberfläche des Brenners bleibt. Nur soweit befüllen, bis die Flüssigkeit sichtbar wird und die MAX- Anzeige nicht überschritten wird.
- Vorsicht! Achten Sie darauf, dass die Flüssigkeit niemals aus der Einfüllöffnung austritt!
- Wenn der Brenner überfüllt ist, muss das überschüssige Bioethanol vor dem Anzünden des Brenners entfernt werden.
- Wenn Flüssigkeit verschüttet wurde kann diese mit einem weichen, saugfähigen Tuch aufgewischt werden bevor der Brenner wieder angezündet wird.
- Wenn der Bioethanolbrenner gefüllt ist, kann der Trichter entfernt werden. Die Schublade kann jetzt vollständig geöffnet werden. Die Feueröffnung ist nun sichtbar und der Brenner ist betriebsbereit.
- Warnung! Füllen Sie niemals einen warme oder heißen Bioethanolbrenner nach. Explosionsgefahr! Lassen Sie den Bioethanolbrenner mindestens 30 Minuten abkühlen, bevor sie ihn nachfüllen.

Während der ersten Befüllung saugt der Keramikstein im Inneren das Bioethanol bis zur Sättigung auf. Der Brennstoff wird nach und nach vom Keramikstein absorbiert. Aus diesem Grund wird beim ersten Mal mehr Flüssigkeit verbraucht als beim Nachfüllen. Wieviel Bioethanol die verschiedenen Brenner verbrauchen, können Sie der Tabelle auf der vorherigen Seite entnehmen.



Brenner niemals über das Maximum befüllen.



Füllen Sie niemals den flüssigen Brennstoff in ein brennendes Gerät.



Füllen Sie niemals Brennstoff in ein heißes Gerät.



Zünden Sie niemals ein noch heißes Gerät an.



Lassen Sie keine Kinder oder Haustiere allein in der Nähe des Brenners.

Anzünden des Bioethanolbrenners

Öffnen sie den Brenner bis der weiße Keramikstein sichtbar wird. Der Bioethanolbrenner kann jetzt mit einem langen Feuerzeug angezündet werden.

- Warnung! Falls die Flammen gegen die Rückwand des Kamins oder Einsatzes schlagen, löschen Sie das Feuer und gehen sie zu unserer den Kundendienstseite oder die FAQ's auf unserer Website.
- Brandgefahr! Es sollte niemals Feuer außerhalb der Brenneröffnung entstehen. Dies ist gefährlich und kann zur Beschädigung des Brenner führen und die Beschichtung zerstören.
- Die Flammen können nicht durch Verstellen der Brenneröffnung variiert werden. Diese sollte während das Gebrauch immer vollständig geöffnet sein, um Beschädigungen oder Deformierung des Brenners zu vermeiden.

Löschen des Bioethanolbrenners

Der Bioethanolbrenner wird durch das Schließen der Brenneröffnung gelöscht. Es ist auch möglich, hierfür eine separate Abdeckplatte zu bestellen. Wenn der Brenner nicht in Betrieb ist, schließen sie bitte immer die Brenneröffnung, um die Verdampfung des Bioethanols zu verhindern.

Pflege und Reinigung

Nach mehrfachem Betrieb des Bioethanolbrenner können an der Oberseite des Brenners Verfärbungen entstehen. Dies ist normal und bedeutet kein Qualitätsabnahme. Bei Reinigung des Brenners bitte kein Scheuermittel verwenden. Reinigen sie die Oberfläche mit einem feuchten Tuch (schwarzer Bioethanolbrenner) oder einem sandfreien Edelstahlreiniger (RVS Bioethanolbrenner). Die Glasscheiben können mit einem Keramikreiniger für Cerankochfeldplatten gereinigt werden.

Einbau

Die Bioethanol-Brenner können mit einem Kamin aus der vielfältigen Xaralyn-Kollektion kombiniert werden und sind einfach aufzustellen und zu bewegen. Für die Installation sind keine besonderen Anpassungen erforderlich. Die Brenner können auch in einem bestehenden Kamin platziert oder in ihren eigenen Projekt eingebaut werden.

Zulässige Baumaterialien

- Promafour® Platte
- Promatect® Platte
- Super-isol Platte
- Promaglaf® Isolationsdecke
- Insulfrax Isolationsdecke

Oder andere hitzebeständige Baumaterialien.

Einbau Ohne Einbukaisten

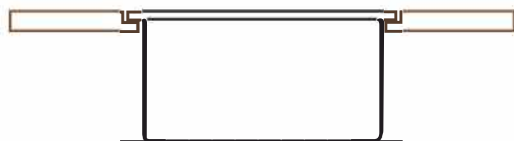
Einbauöffnung bei Verwendung von separatem Brenner ohne Überstand:

S (4114)	409 x 137 x 80 mm (LxBxH)
M (4120)	405 x 200 x 80 mm (LxBxH)
L (5820)	577 x 200 x 80 mm (LxBxH)



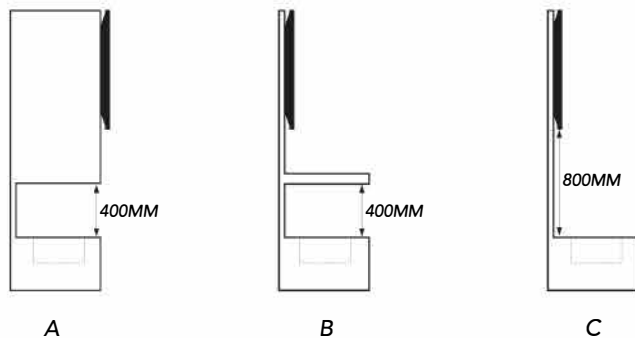
Einbauöffnung bei Verwendung von separatem Brenner mit Überstand:

S (4114L)	409 x 137 x 80 mm (LxBxH)	Oberplatte: 429 x 159 mm
L (5820)	575 x 200 x 80 mm (LxBxH)	Oberplatte: 597 x 220 mm
XL (8014LS)	800 x 137 x 80 mm (LxBxH)	Oberplatte: 820 x 157 mm
XXL (11814LS)	1180 x 137 x 80 mm (LxBxH)	Oberplatte: 1200 x 157 mm



Instructionen Für Einbau von Separatem Brennern ohne Einbaukasten

- Beachten sie, dass die Aussparung für den Brenner aus hitzebeständigem Material ist, spezielle Profile sind erhältlich, falls das verwendete Material nicht hitzebeständig ist.
- Stellen sie sicher, dass das Material an der Oberseite, Rückseite sowie an den Seiten des Brenners aus hitzebeständigem Material besteht.
- Halten sie aus Sicherheitsgründen eine Mindesthöhe von 400 mm über dem Brenner und mindestens 50 mm an den Seiten ein.
- Wenn ein Fernsehbildschirm direkt über dem Brenner platziert wird, empfehlen wir einen Sicherheitsabstand von mindestens 80 mm. Fragen Sie immer Ihren TV-Hersteller ob Ihr TV zum Aufhängen über einem Kamin geeignet ist.



- Stellen Sie sicher dass der Bioethanolbrenner nach der Installation waagrecht steht.

Überprüfen Sie den Außenbehälter regelmäßig auf Restbestände von Flüssigkeit:

- Entnehmen sie den Bioethanolbrenner aus dem Außenbehälter.
- Wenn die Wolle im Außenbehälter feucht ist, dann trocknen sie den Außenbehälter und warten sie bis die Wolle wieder trocken ist.
- Der Bioethanolbrenner kann jetzt wieder in den Außenbehälter gestellt werden.

Fehler	Mögliche Ursache	Lösung
Rußbildung	falscher Brennstoff	ausschließlich Xaralyn CL100 verwenden
Rußbildung	Brenneröffnung durch Dekoration verdeckt	Brenneröffnung frei machen
Brennzeit zu kurz	falscher Brennstoff (z.B. Gel, Brennspritus)	ausschließlich Xaralyn CL100 verwenden
Brennzeit zu kurz	Brenner ist nicht vollständig befüllt	Löschen des Brenners, minimal 30 Minuten abkühlen lassen, Befüllen und erneut anzünden
Flammen zu hoch	falscher Brennstoff (z.B. Gel, Brennspritus)	ausschließlich Xaralyn CL100 verwenden, Zugluft vermeiden
Flammen zu klein, nicht sichtbar	Brenner ist nicht vollständig befüllt	Löschen des Brenners, minimal 30 Minuten abkühlen lassen, befüllen und erneut anzünden
Flammen nur blau, kein sichtbares Flammenbild	Brennflüssigkeit läuft aus	Löschen des Brenners, minimal 30 Minuten abkühlen lassen, befüllen und erneut anzünden
Flammen gehen beim Schließen der Öffnung nicht aus	kommt bei größeren Brennern vor, Bioethanoldampf sucht einen Ausweg	Öffnen der Schublade und mit schnelleren Bewegung wieder schließen, so wird die Sauerstoffzufuhr unterbrochen, einfaches Ausblasen auch möglich

Für weitergehende Problemlösungen verweisen wir sie auf unsere Website.

Garantie

Die Garantie des Produktes beträgt dreißig Jahre ab den Kaufdatum. Änderungen oder Umbauten am Brenner sind nicht zulässig, dadurch wird jegliche Gewährleistung ausgeschlossen. Änderungen oder technische Änderungen im Zusammenhang mit einer Verbesserung des Produktes und seiner Eigenschaften sowie der Sicherheit bleiben Xaralyn vorbehalten. Xaralyn haftet nicht für Schäden oder Personenschäden, die durch Missbrauch oder falsche Verwendung des Bioethanolbrenners verursacht werden.

Xaralyn dankt ihnen für das entgegengebrachte Vertrauen in unser Produkt und wünscht ihnen viele Jahre Freude damit.



Mode d'emploi et consignes de sécurité du brûleur bioéthanol avec pierre céramique de Xaralyn, un produit unique et breveté par Clean fire system

Ce produit ne peut être vendu qu'avec ce manuel. En cas de revente, ce manuel doit toujours être inclus.

Le brûleur bioéthanol de Xaralyn doit être utilisé par des personnes majeures et compétentes qui ont lu et compris ce mode d'emploi, ces consignes de sécurité et appliquez les directives indiquées.

Important

- Le brûleur bioéthanol a une fonction décorative et donne de la chaleur, mais ne peut pas être utilisé comme chauffage principal. Respectez la législation locale avant utilisation.
- Le brûleur bioéthanol ne peut jamais être utilisé comme foyer ou brûleur pour des matériaux combustibles, liquides ou solides.
- Le brûleur bioéthanol est conçu pour utilisation en intérieur.
- Ne convient pas pour une utilisation continue.
- Ne jamais modifiez la construction du brûleur bioéthanol.
- L'utilisation du brûleur bioéthanol par des enfants est interdit, ainsi que par des adultes sous l'influence de l'alcool, de drogues ou de médicaments, ou par des personnes qui ne sont pas dans une bonne condition psychologique ou physique.
- La surface du brûleur bioéthanol est chaude pendant l'utilisation. Une attention appropriée est requise, risque de brûlures.
- Faites attention aux vêtements inflammables et aux cheveux.
- Ne laissez jamais le feu sans surveillance et tenez les enfants et les animaux domestiques à une distance sécuritaire.
- Ne placez pas des matériaux inflammables tels que du papier, du carton, du tissu (vêtements), etc. au-dessus du brûleur ou de la cheminée.
- Gardez une distance de sécurité d'au moins 50cm (à gauche, à droite et à l'avant) aux matériaux inflammables.
- Ne déplacez jamais le brûleur pendant l'utilisation !
- N'utilisez que le bioéthanol CL100, des matériaux de décoration et pièces de rechanges de Xaralyn.
- Le verrou au sommet du brûleur peut être ouvert et fermé avec les leviers fournis.
- L'utilisation d'un carburant autre que le bioéthanol Xaralyn CL100 peut affecter la garantie..
- Le bioéthanol est classé comme substances dangereuses dans la classe 3 de danger UN 1987.
- Le bioéthanol est un liquide hautement inflammable, une attention appropriée est requise.
- Vérifiez la législation nationale et (ou) régionale sur le stockage sécurisé du liquide inflammable.
- Le bioéthanol doit être stocké dans une pièce résistante au feu.
- Assurez-vous d'avoir un extincteur ou une couverture anti-feu à portée de main pendant l'utilisation.
- Le brûleur bioéthanol est certifié selon la norme EN 16647:2015.



Une couverture anti-feu est recommandée.



Un extincteur est recommandée.



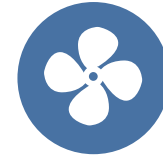
Uniquement pour usage décoratif et domestique.



Avant installation et utilisation lisez le mode d'emploi!



Utilisez uniquement de combustible selon le mode d'emploi.



Utilisez uniquement dans un chambre bien ventilée.

Installation du brûleur bioéthanol

Nos brûleurs en céramique peuvent être placés dans notre collection étendu de cheminées et d'inserts. Ils peuvent également être appliqués selon votre design personnalisée ou dans une cheminée existante. Visitez notre site internet pour retrouver notre gamme et les instructions d'installation des brûleurs bioéthanol.

General

- Assurez-vous que le mur / la table / le sol où le brûleur bioéthanol est placé puisse supporter les poids.
- Le brûleur bioéthanol doit être placé ou accroché sur une surface ou un mur résistant au feu.
- Le brûleur bioéthanol doit être nivelé horizontalement et verticalement, de sorte qu'il n'y a aucune possibilité que le carburant se déverse de son réservoir.
- Gardez une distance de sécurité au moins de 50cm (à gauche, à droite et à l'avant) à d'autres objets.
- Tenez les matériaux inflammables tels que les rideaux, les meubles et les étagères à l'écart du brûleur bioéthanol.
- Ne placez pas le brûleur bioéthanol à côté ou sous le rebord d'une fenêtre. Risque d'incendie!
- Ne placez pas le brûleur bioéthanol dans une pièce à forte humidité constante.
- Utilisez le brûleur bioéthanol seulement dans une pièce sans courants d'air, ceci pour empêcher la formation de suie.
- Assurez-vous que tous les tuyaux de gaz à proximité du brûleur bioéthanol sont fermés.
- Lorsque vous utilisez le brûleur bioéthanol dans une pièce fermée, vous devez assurer une ventilation suffisante! Toute flamme consomme de l'oxygène et crée du dioxyde de carbone (CO2). Vous devez assurer l'apport d'air frais suffisant (ouverture au moins de 120cm²). Le tableau ci-dessous montre les recommandations concernant le format minimale de la pièce, qui diffère selon le type de brûleur.
- La norme EN prescrit un chauffage maximal par pièce de 4,5 kW. Les valeurs plus élevées dues à l'utilisation de plusieurs brûleurs n'ont pas été étudiées et sont donc à votre propre risque.

type brûleur	± premier ± remplissage		dimensions suivant	poids (kg)	chaleur (conseil) (Kw)	pièce content (m3)	usage (± ltr. par heure)	temps de combustion (± heures)
	(litres)	(litres)						
4114	1	0,8	41x14x8	6	ca. 2	min 55	0,30	3
4120 + Silo	1,5	1	41x20x8	9,3	ca. 2,5	min 55	0,50	3
5820	2	1,5	58x20x8	12,3 / 13,2	ca. 3	min 80	0,50	3,5
8014 + 8013	2,5	1,8	80x14x8	14,1	ca. 3,5	min 80	0,55	3,5
11814	3,5	2,5	118x14x8	18,8	ca. 4,4	min 110	0,65	3,5

Installation dans une cheminée Xaralyn ou un insert

- Vérifiez les instructions fournies avec votre cheminée ou votre insert.
- Ne jamais accrocher une cheminée Xaralyn ou un insert sur un mur avec du papier peint ou des plaques de plâtre pour éviter la décoloration.
- S'il s'agit d'un montage contre un mur, nous vous recommandons de garder une distance de sécurité de 1cm minimum entre le brûleur et le mur, afin de créer un courant d'air naturel.
- N'enlevez jamais les protections calorifuges de sécurité à l'arrière. Risque d'incendie!
- Ne placez pas des matériaux inflammables au-dessus du brûleur ou de la cheminée.
- Après installation de la cheminée, le brûleur bioéthanol peut être placé dans l'espace réservé au brûleur.

Installation dans un projet personnalisé ou une cheminée existante

Vérifiez les instructions d'installation sur notre site web www.Xaralyn.com.



Utiliser seulement dans des pièces sans courants d'air.



Ne pas placer la cheminée près d'objets inflammables.



Ne déplacez jamais le brûleur pendant son fonctionnement.

Placement des écrans de verre ou décoration

Nous vous recommandons d'utiliser les écrans de verre inclus. Vous pouvez les monter sur le brûleur avec les pièces d'accouplement fournies. Cela empêche les flammes de brûler contre le fond de la cheminée. Ne pas serrer les vis des connecteurs car les verres et le métal se dilatent avec la chaleur. Le placement des écrans de verre des deux côtés est seulement nécessaire pour les cheminées ouvertes des deux côtés (sans arrière).

- Xaralyn a développé des jeux de bois spéciaux, des cailloux et gravier de basalte pour décorer le brûleur bioéthanol. Placez-les autour de l'orifice du feu du brûleur (la brique (blanche) de céramique), la surface du feu doit toujours rester libre. Lorsque des matériaux de décoration sont placés dans les flammes, la formation de suie peut se produire et une situation dangereuse peut survenir.
- N'utilisez pas les bûches, cailloux ou graviers en même temps que les écrans en verre. Risque d'incendie!
- Lors de l'installation d'un brûleur en céramique contre un mur arrière (par exemple cheminée ou foyer), assurez-vous que les flammes brûlent toujours verticalement. Cela peut être fait avec l'aide des écrans de verre ou d'autres matériaux décoratifs.
- Ne touchez le matériaux décoratifs qu'après une période de refroidissement de 30 minutes, danger de brûlures!
- Pour des raisons de sécurité, n'utilisez jamais de matériaux autres que les matériaux de décoration originaux de Xaralyn pour décorer le brûleur bioéthanol.
- Assurez-vous que les flammes n'entrent jamais en contact direct avec fond de votre foyer, si c'est le cas, éteignez immédiatement le foyer et consultez le service après-vente et les FAQ sur notre site web.

Attention!! La température des écrans de verre et du matériaux de décoratif peut être de 90°-140°C pendant l'utilisation et la plaque de couverture du brûleur bioéthanol peut même atteindre 200°C!

Remplissage et re-remplissage du brûleur bioéthanol

Xaralyn livre son propre combustible (unique): Xaralyn bioéthanol CL100. Le fonctionnement optimal du brûleur ne peut être garanti qu'en utilisant ce bioéthanol. N'utilisez jamais un autre combustible ou gel pour remplir le brûleur bioéthanol, car cela pourrait bloquer ou endommager la brique céramique, voir même réduire la qualité de la flamme. Par conséquent, la garantie expire et pour les exceptions, elles seront convenu par Xaralyn.

Ne pas fumer pendant le remplissage du réservoir ou pendant l'allumage. Danger d'explosion!

- Ouvrez le verrou pour un tiers afin que l'orifice de remplissage apparait.
- Placer l'entonnoir fourni dans l'ouverture de remplissage.
- Évitez le contact de la peau avec le bioéthanol, le bioéthanol étant un liquide hautement inflammable, une attention appropriée est requise.
- Remplir le brûleur bioéthanol avec le bioéthanol; faire ceci avec prudence et lentement pour éviter de le trop remplir.
- Verser le bioéthanol dans l'entonnoir jusqu'à ce que la pierre en céramique soit saturée.

- Ne remplissez pas le brûleur plus haut que la surface du brûleur; jusqu'à ce que le liquide reste dans l'orifice et ne dépasse pas l'indication MAX.
- Attention! Assurez-vous que le liquide ne sorte jamais de l'orifice de remplissage!
- Lorsque le brûleur est trop rempli, le surplus de bioéthanol doit être éliminé avant d'allumer le brûleur.
- Surplus de liquide peut être absorbé avec un chiffon absorbant doux avant que le brûleur soit enflammé.
- Lorsque le brûleur bioéthanol est remplie, l'entonnoir peut être retiré. Le verrou peut être complètement ouvert. L'ouverture du feu est maintenant visible et le brûleur est prêt à l'emploi.
- Attention! Ne jamais remplir un brûleur en céramique chaud. Risque d'explosion!
Laisser refroidir le brûleur bioéthanol au moins 30 minutes avant de la remplir à nouveau.

Au premier remplissage la pierre céramique doit être complètement saturée avec le bioéthanol. Une partie du liquide restera toujours partiellement absorbé par la pierre céramique. Pour cette raison, la première fois plus de liquide est utilisé que lors du remplissage. La quantité de bioéthanol utilisée par les différents brûleurs est indiquée dans le tableau de la page précédente.



Ne surdosez jamais le brûleur.



Ne mettez jamais de liquide dans un brûleur en fonction.



Ne mettez jamais de liquide dans un brûleur chaud.



N'allumez jamais un brûleur chaud.



Tenez les enfants et les animaux domestiques à une distance sécuritaire.

Allumer le brûleur bioéthanol

Lorsque le verrou est complètement ouvert, la pierre en céramique est visible. Le brûleur bioéthanol peut maintenant être allumé avec un briquet ou une longue allumette.

- Attention! Si les flammes touchent le mur du fond éteindre le feu immédiatement et consulter la section service après-vente et /ou la FAQ sur notre site Web.
- Risque d'incendie! Il ne devrait jamais y avoir de feu en dehors de l'ouverture du feu. Ceci est dangereux et peut également entraîner la déformation de l'insert et endommager sa peinture.
- Le verrou n'est pas un régulateur de flammes, le verrou doit toujours être complètement ouvert pendant l'utilisation du brûleur.

Éteindre le brûleur bioéthanol

Le brûleur bioéthanol s'éteint en fermant le verrou. Il est également possible de commander une plaque de recouvrement séparée pour cela. Lorsque le brûleur bioéthanol n'est pas utilisé, le verrou est fermé (pour éviter l'évaporation du bioéthanol).

Entretien

Après une utilisation fréquente une décoloration peut apparaître sur le brûleur bioéthanol. Ceci est normal et n'est pas une réduction de qualité. Ne pas utiliser d'abrasif pour nettoyer le brûleur bioéthanol. Nettoyez la surface avec un chiffon humide (brûleurs en céramique noire) ou un nettoyant en acier inoxydable sans sable (brûleurs en céramique en acier inoxydable). Les écrans de verre peuvent être nettoyés avec un nettoyant pour vitrocéramique.

Contrôlez régulièrement la boîte extérieure pour le liquide renversé.

- Retirer le brûleur de la boîte extérieure.
- Lorsque la laine dans la boîte extérieure est humide: séchez la boîte extérieure et attendez que la laine soit sèche.
- Le brûleur bioéthanol peut maintenant être remis dans la boîte extérieure.

Les brûleurs bioéthanol peuvent être combinés avec de nombreuses cheminées de la collection Xaralyn et peuvent facilement être placés et déplacés. Aucun réglage spécial est nécessaire pour l'installation. Nos brûleurs peuvent également être utilisés dans les foyers existants ou dans d'autres situations créatives fait sur mesure.

Matériaux de construction autorisés

- Plaque Promafour®
- Plaque Promatect®
- Plaque Super-isol
- Laine d'isolation Promaglaf®
- Laine d'isolation Insulfrax

Ou d'autres matériaux de construction résistant au feu.

Assembler sans unité encastrable

Dimensions de la cavité pour un brûleur bioéthanol sans bord:

S (4114)	412 x 142 x 78 mm (Lxlxh)
M (4120)	410 x 204 x 78 mm (Lxlxh)
L (5820)	580 x 204 x 78 mm (Lxlxh)



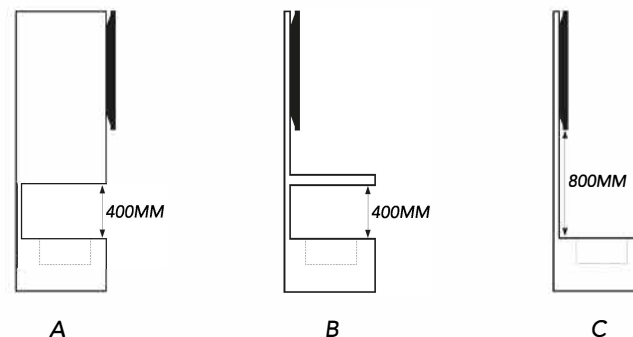
Dimensions de la cavité pour un brûleur bioéthanol avec bord:

S (4114L)	411 x 139 x 78 mm (Lxlxh)	Plaque supérieur:	431 x 159 mm
L (5820)	577 x 202 x 79 mm (Lxlxh)	Plaque supérieur:	600 x 224 mm
XL (8014LS)	803 x 139 x 80 mm (Lxlxh)	Plaque supérieur:	823 x 159 mm
XXL (11814LS)	1184 x 141 x 78 mm (Lxlxh)	Plaque supérieur:	1204 x 161 mm



Instructions pour encastrer un brûleur bioéthanol sans unité encastrable

- La cavité pour le brûleur doit être réalisée d'un matériau résistant à la chaleur, des profils spéciaux sont disponibles pour les situations où les matériaux utilisés ne répond pas à cette exigence.
- Assurez-vous que le matériel utilisé sur le dessus, l'arrière et les côtés du brûleur résiste à la chaleur.
- Gardez une distance de sécurité d'au moins 400 mm au-dessus du brûleur bioéthanol et d'au moins 50 mm sur les côtés.
- Dans le cas où un téléviseur est placé directement au-dessus du brûleur, nous recommandons une distance de sécurité d'au moins 800 mm. Demandez toujours à votre fournisseur de télévision si votre téléviseur peut être suspendu au-dessus d'une cheminée.
- Après avoir placé le brûleur bioéthanol dans la cavité, assurez-vous que le brûleur bioéthanol soit à niveau.



Dépannage rapide

Défaut	cause possible	solution
formation de suie	mauvais carburant	utilise uniquement le bioéthanol Xaralyn CL100
formation de suie	l'orifice du feu est couvert de matériel de décoration	dégage l'orifice du feu
temps de combustion trop court	mauvais carburant (par exemple gel de feu ou d'alcool brulage)	utilise uniquement le bioéthanol Xaralyn CL100
temps de combustion trop court	le brûleur n'est pas complètement rempli	éteindre le feu et remplir après un période de refroidissement de 30 minutes minimum et allumer
flammes trop hautes	mauvais carburant (par exemple gel de feu ou d'alcool brulage) ou courants d'air	utilise uniquement le bioéthanol Xaralyn CL100. Éviter les courants d'air
flamme trop basses, à peine visible	le brûleur n'est pas complètement rempli	éteindre le feu et remplir après un période de refroidissement de 30 minutes minimum et allumer
flamme trop basses, à peine visible	fin de combustion, le liquide est presque épuisé	éteindre le feu et remplir après un période de refroidissement de 30 minutes minimum et allumer
flamme ne s'éteignent pas après la fermeture de la verrou	se produit avec un brûleur plus gros lorsqu'il est au milieu de temps de combustion. La vapeur d'éthanol cherche alors un moyen de s'en sortir.	ouvrez le verrou et fermez-le rapidement pour éviter l'apport d'oxygène. Possibilité de souffler aussi.

Pour plus d'information, nous vous renvoyons à notre site Web.

Garantie

La période de garantie de votre produit est de 30 ans. Tous changements ou modifications de la surface ou du brûleur ne sont pas autorisés, par conséquent la garantie expire.

Toutes interventions ou changements techniques dans le cadre d'amélioration du produit et de ses caractéristiques ou sécurité sont réservés à Xaralyn.

Xaralyn ne peut être tenu responsable des dommages éventuels ou blessures résultant d'un abus ou d'une mauvaise utilisation du brûleur bioéthanol.

Xaralyn vous remercie pour la confiance en notre produit et vous souhaite de nombreuses années de plaisir avec votre achat.

C L E A N F I R E S Y S T E M
XARALYN®

A Vreekesweid 30
1721 PR Broek op Langedijk
The Netherlands



T +31(0)226 33 14 20
E info@xaralyn.com
W www.xaralyn.com

According European standard
EN 16647:2015