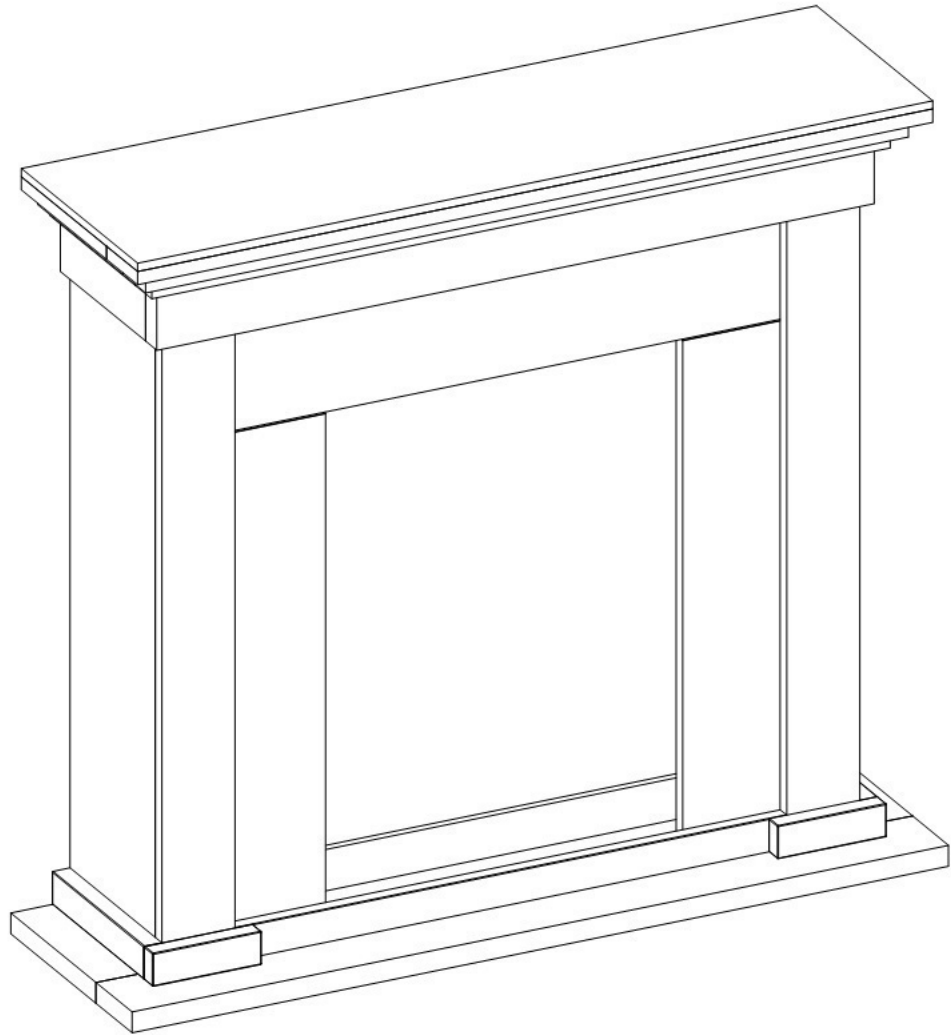


CALGARY

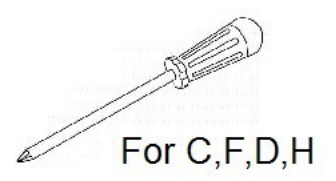
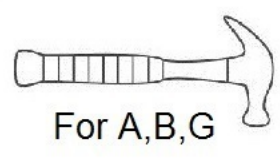
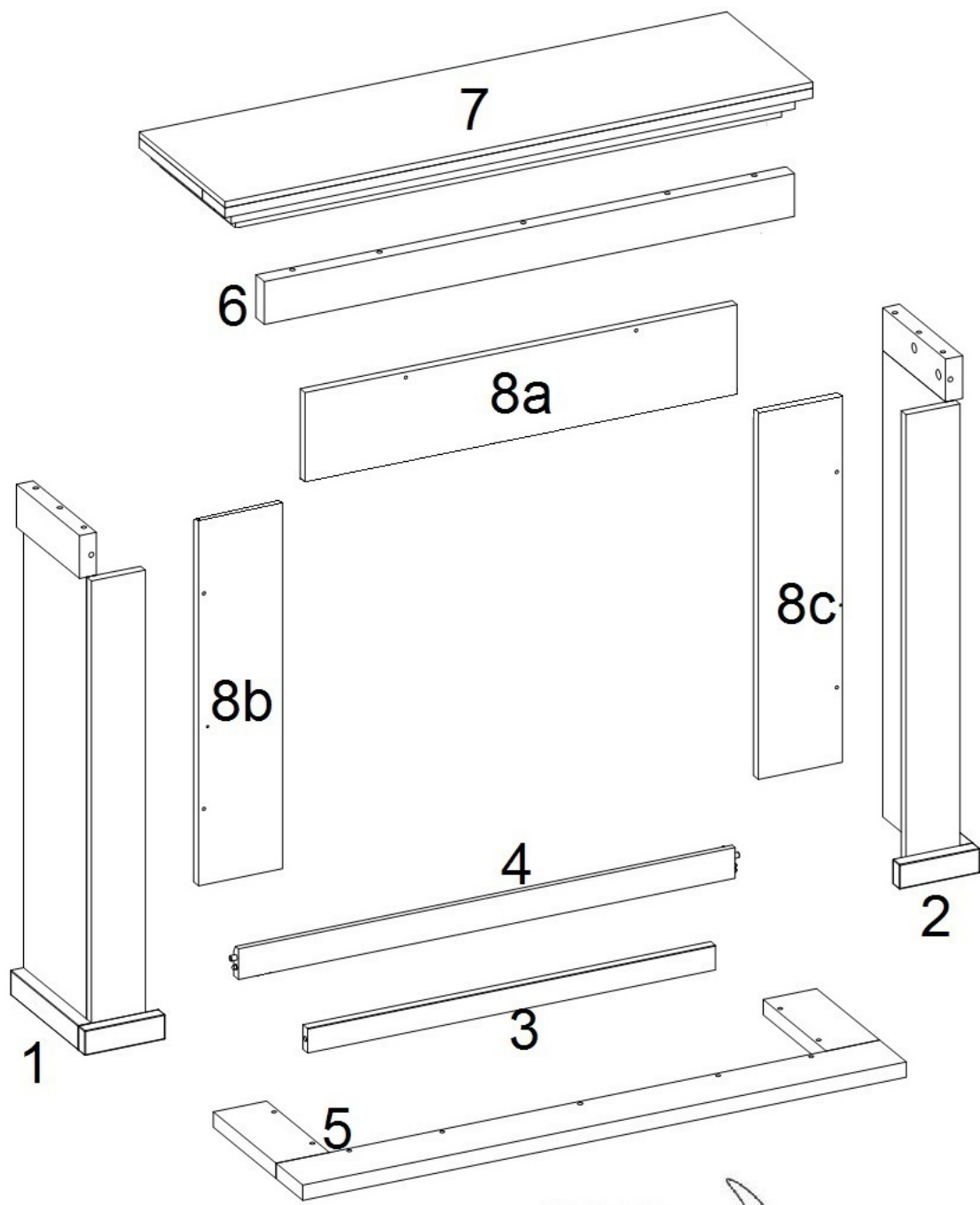
INSTRUCTION













IMPORTANT: Please read this instruction carefully, keep for further reference and check all parts before assembling.

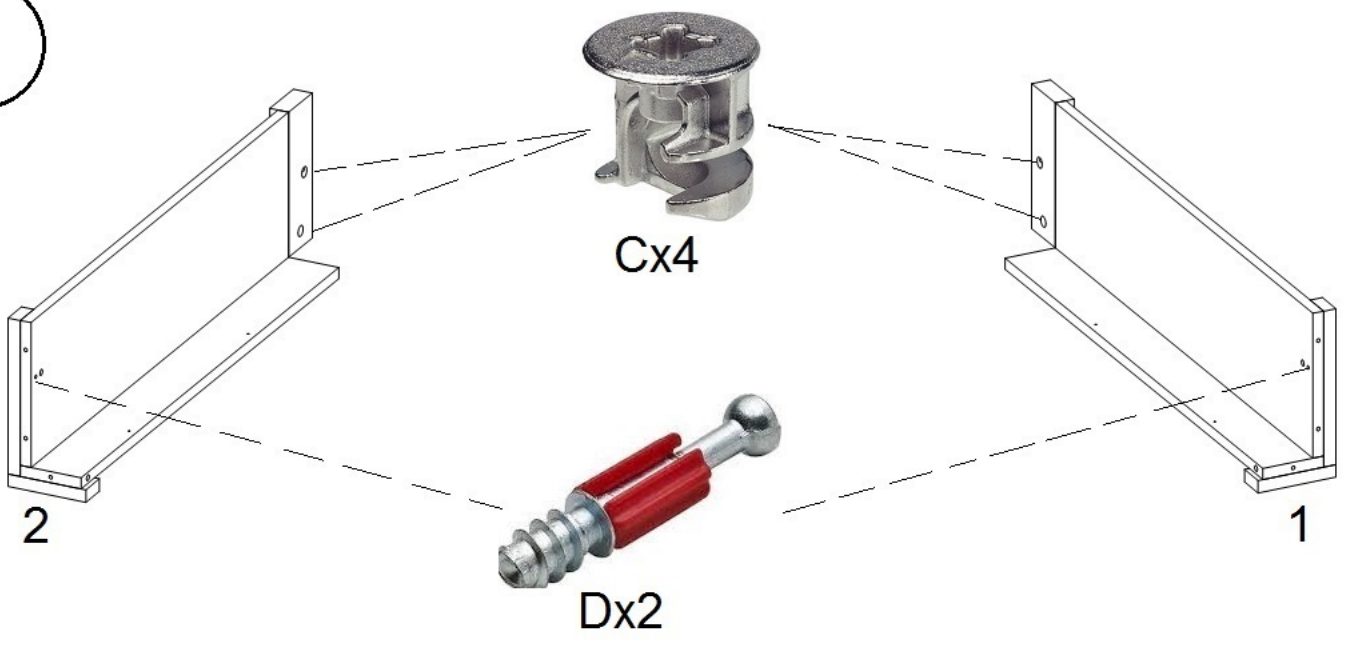
Xaralyn B.V.

info@xaralyn.com
www.xaralyn.com

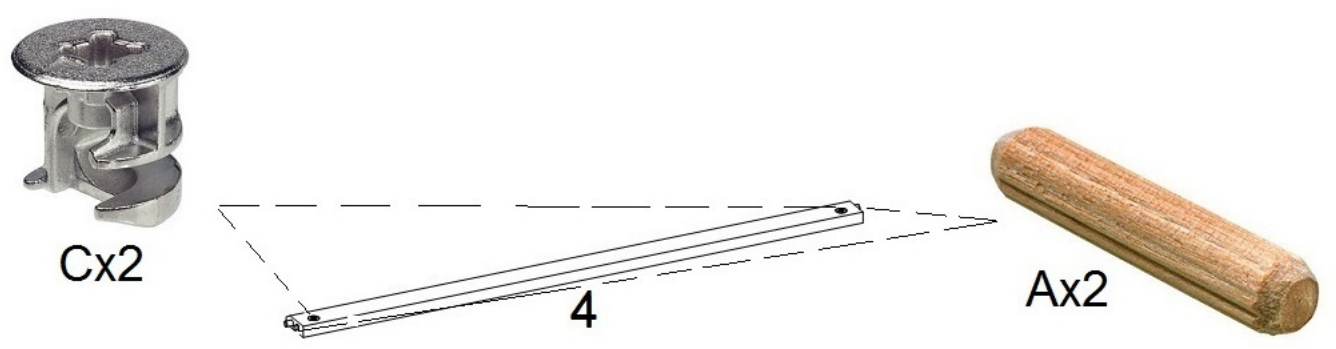


 <p>8x35</p> <p>Ax 2</p>	 <p>8x45</p> <p>Bx4</p>	 <p>15</p> <p>Cx8</p>	 <p>5</p> <p>Dx8</p>	 <p>7x50</p> <p>Ex8</p>
 <p>3x25</p> <p>Fx6</p>	 <p>8x70</p> <p>Gx7</p>	 <p>3x16</p> <p>Hx1</p>	 <p>x1</p>	 <p>For E</p> <p>x1</p>

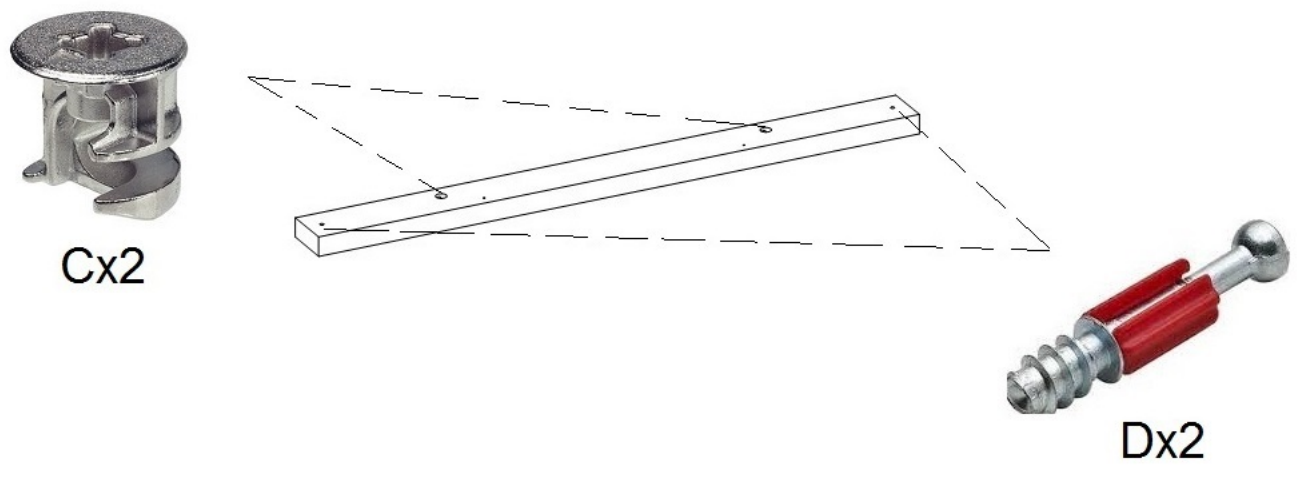
1



2



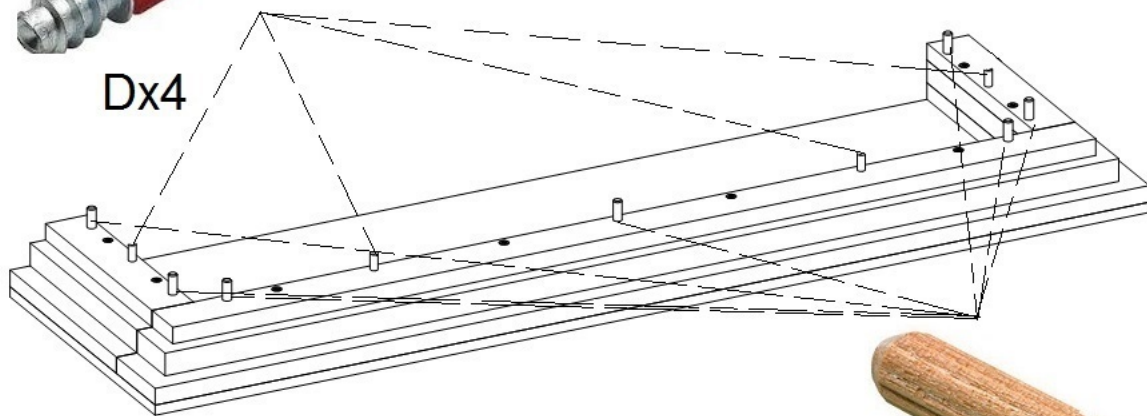
3



4



Dx4

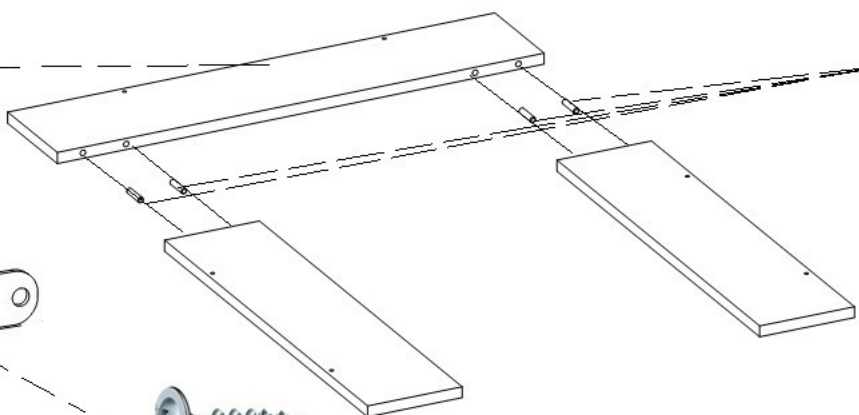


Gx7

5

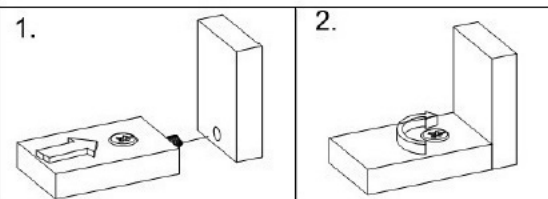
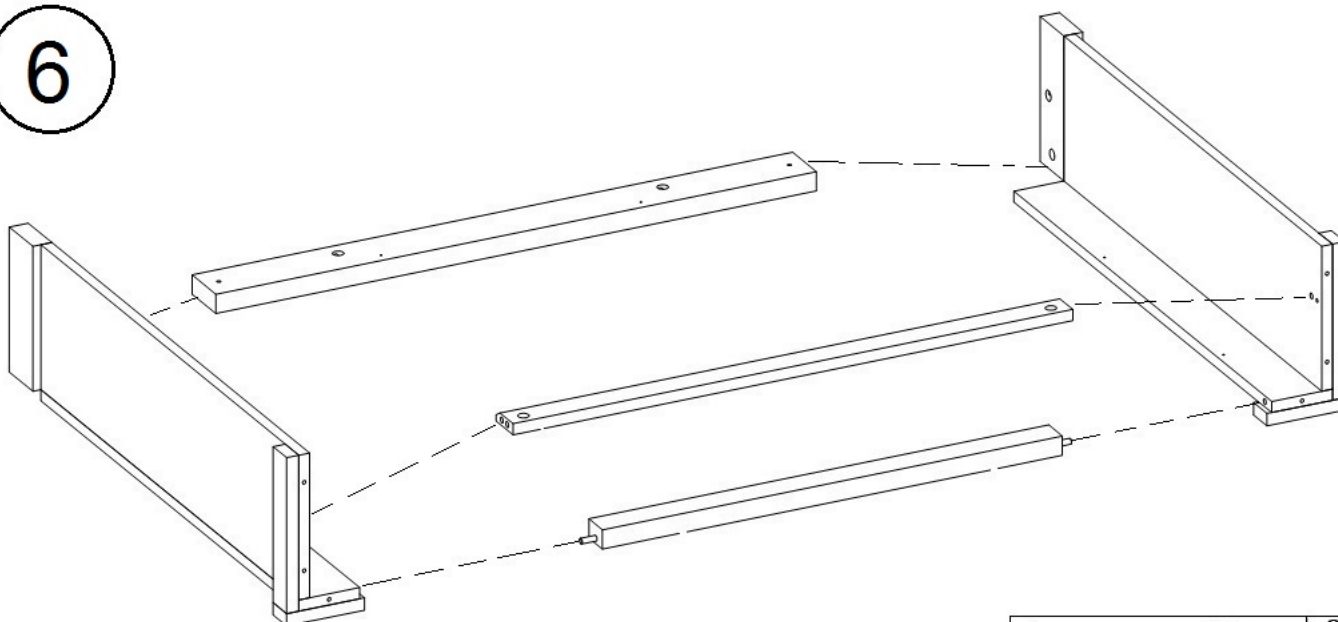


Hx1

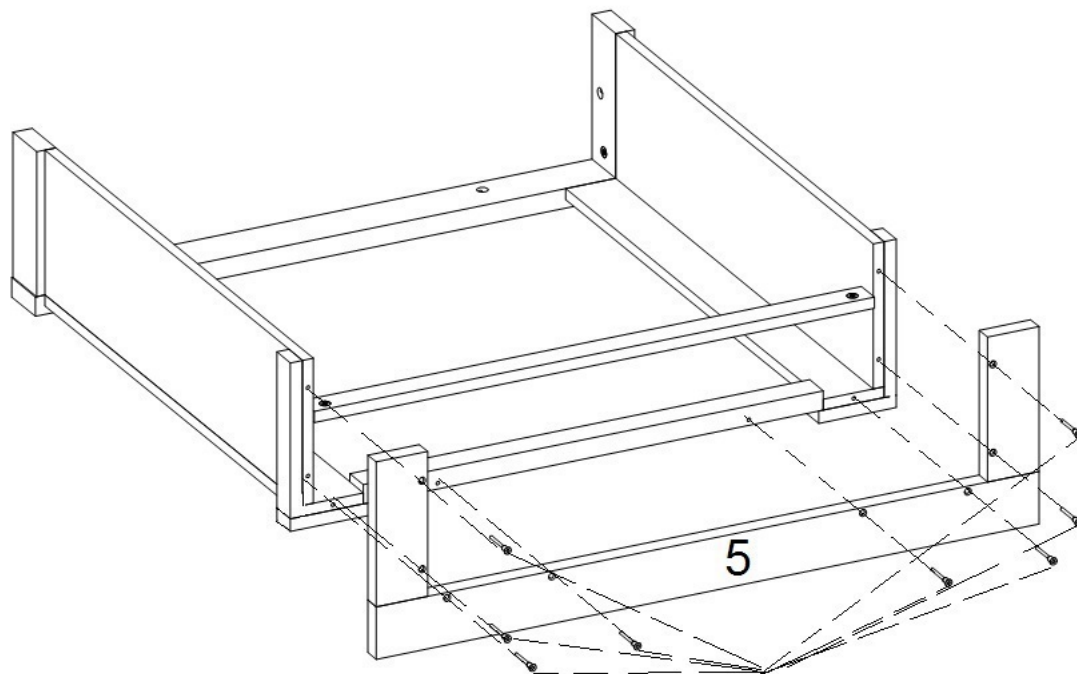


Bx4

6

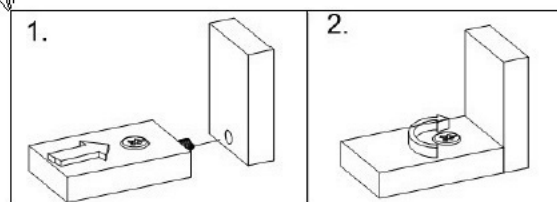
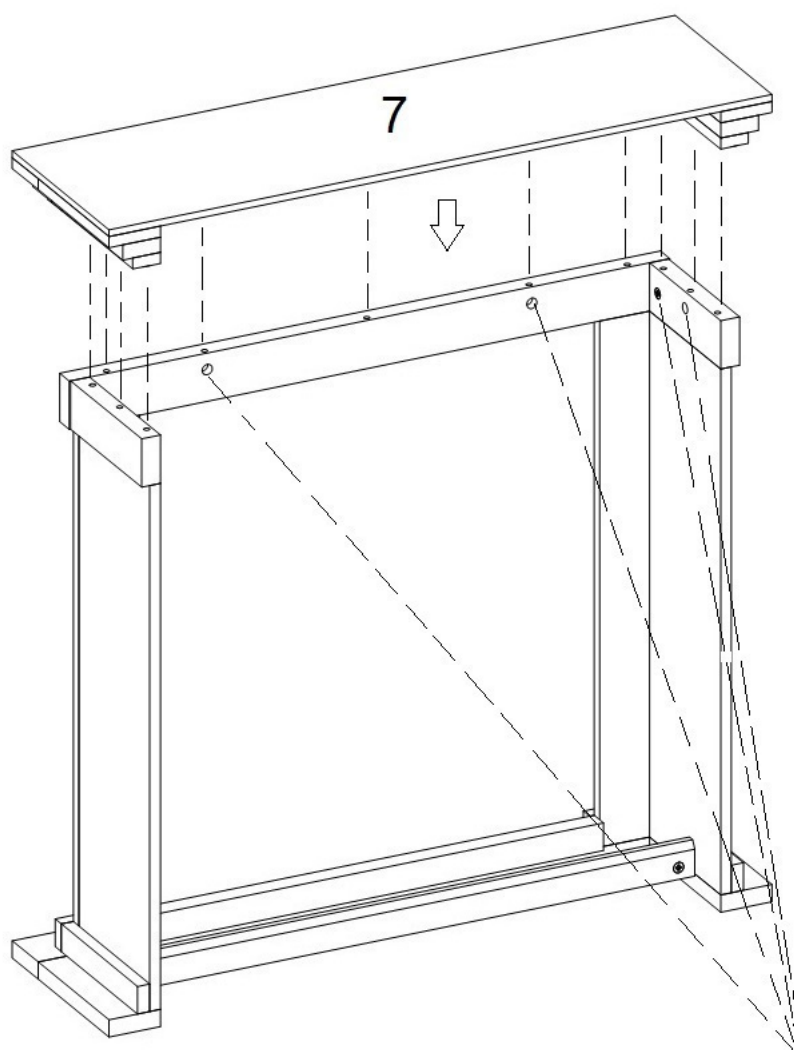


7

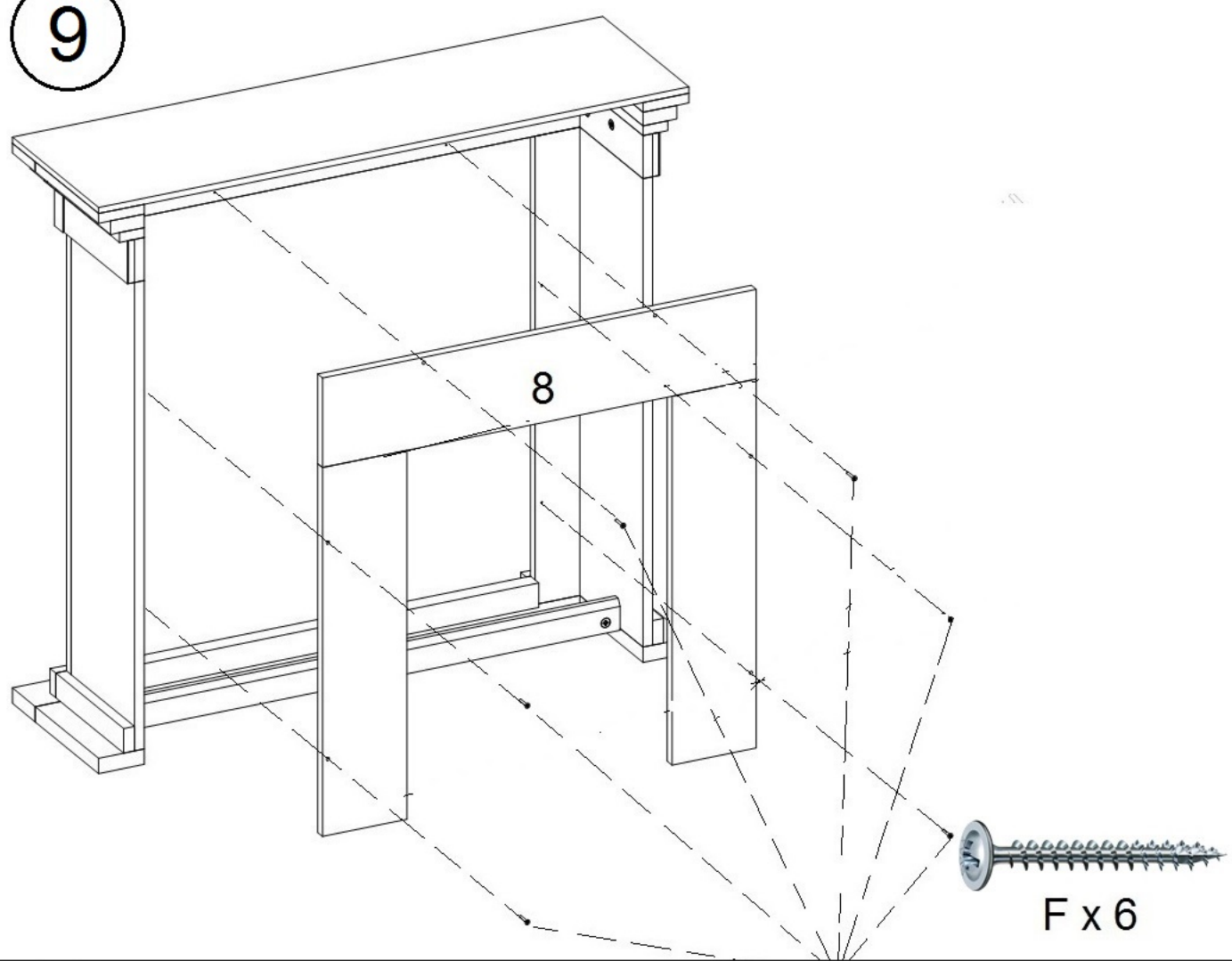


Ex8

8



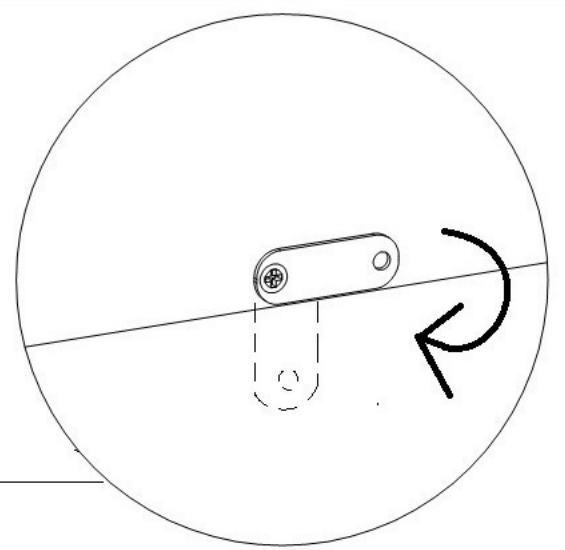
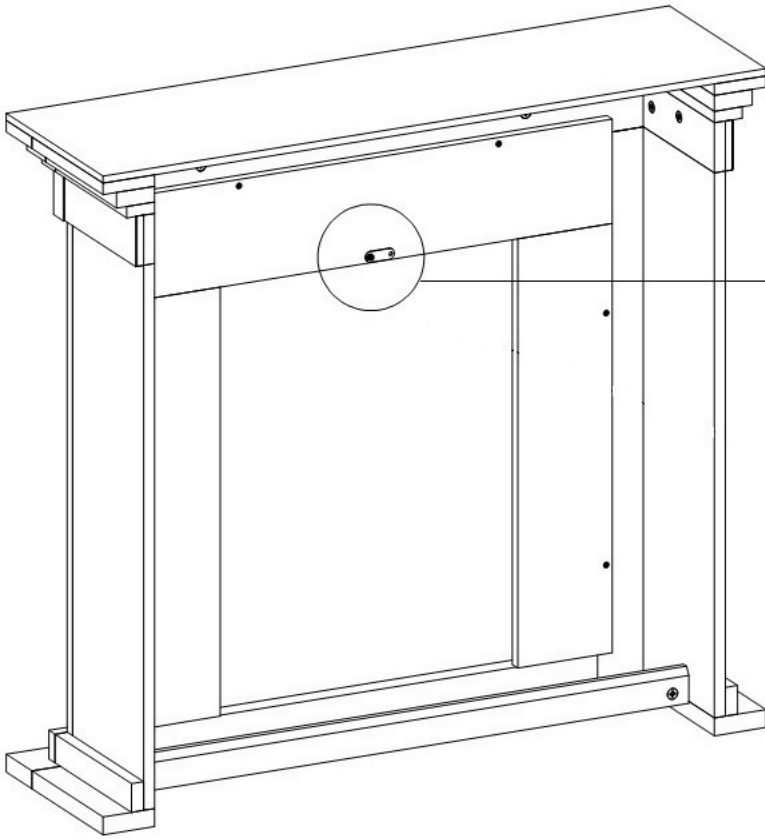
9



10



11



LET OP

Vermijdt langdurig contact met vochtige objecten (denk aan onderzetters onder glas, vaas of potten).

ATTENTION

Avoid long term contact with moist objects (like glass, vase or flower pots).