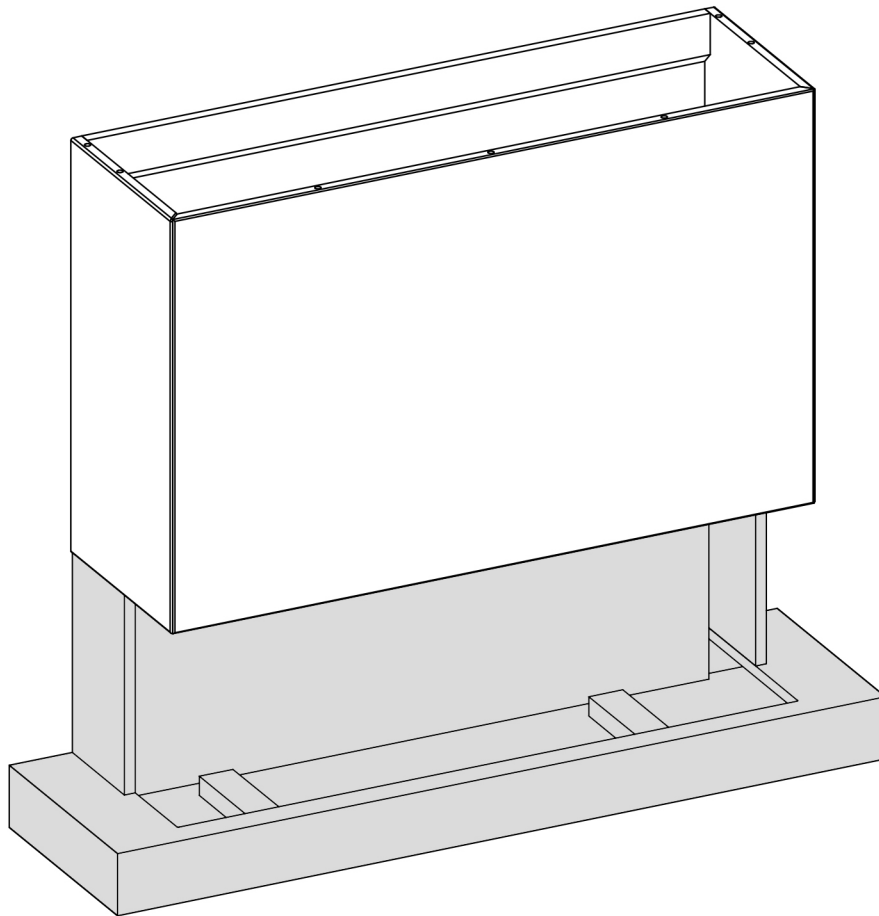
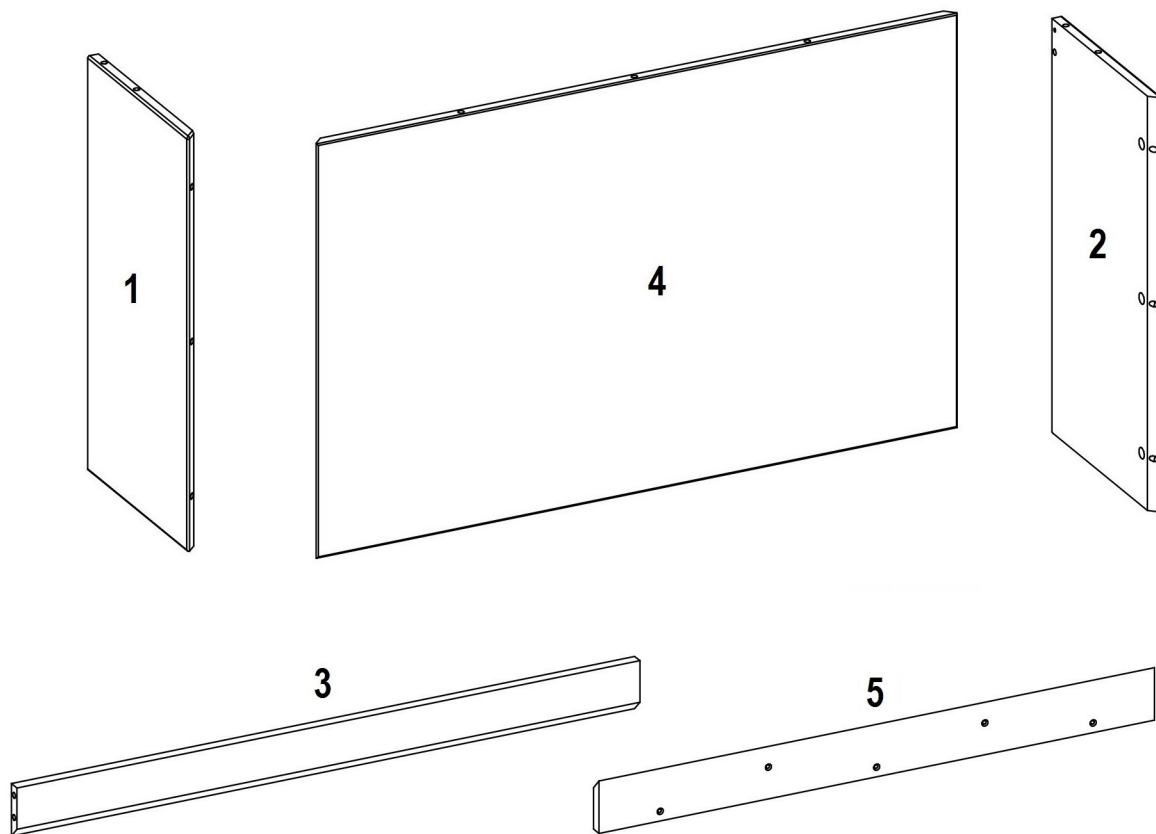








INSTRUCTION

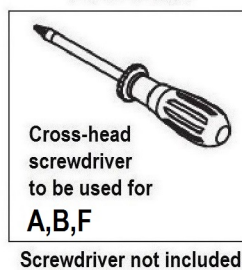


IMPORTANT: Please read this instruction carefully, keep for further reference and check all parts before assembling.

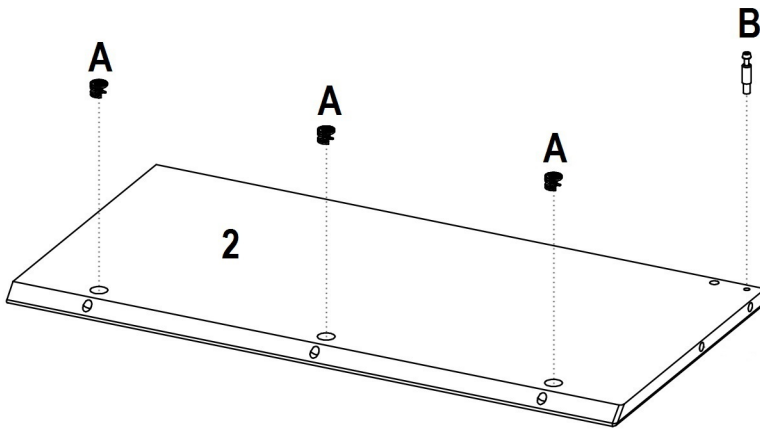
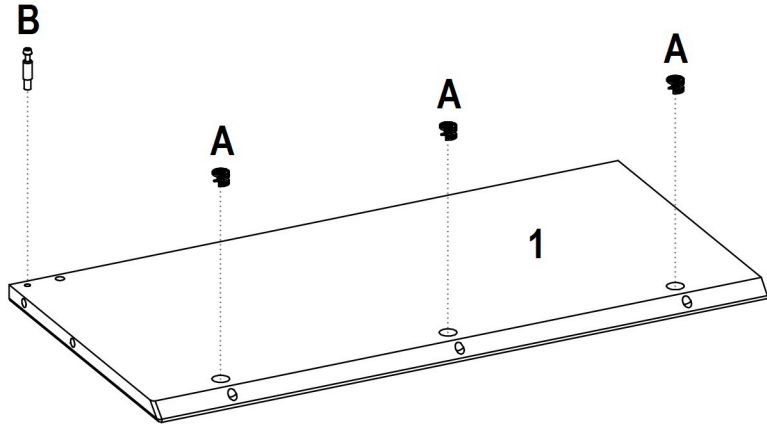


			
<p>A x 14</p>	<p>B x 2</p>	<p>C x 9</p>	<p>D x 6</p>
			
<p>E x 5</p>	<p>F x 5</p>		

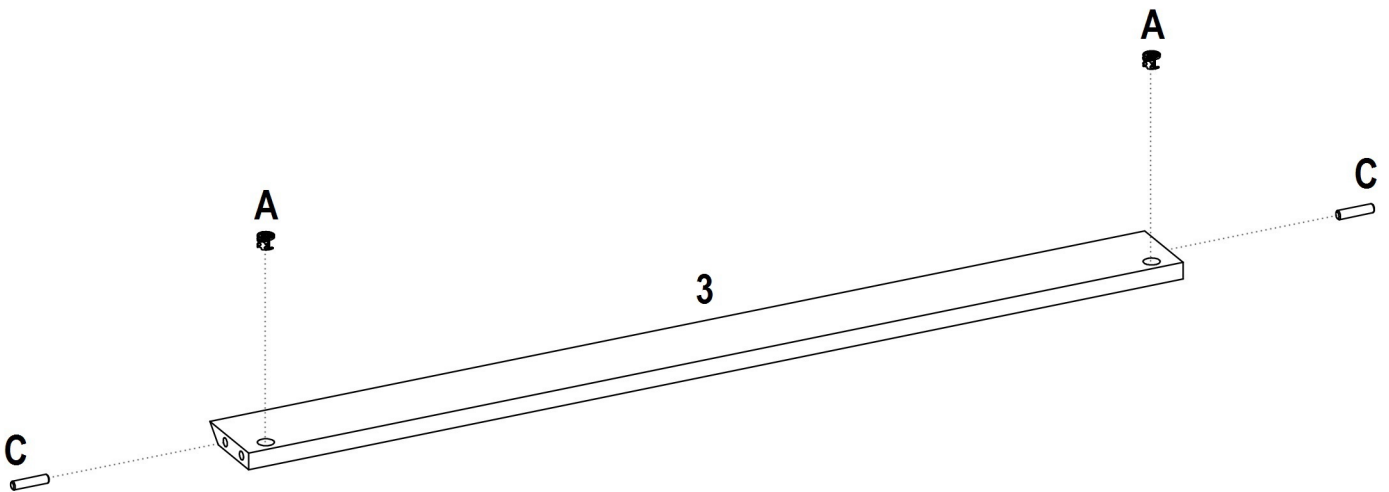
TOOL LIST



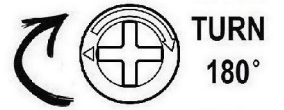
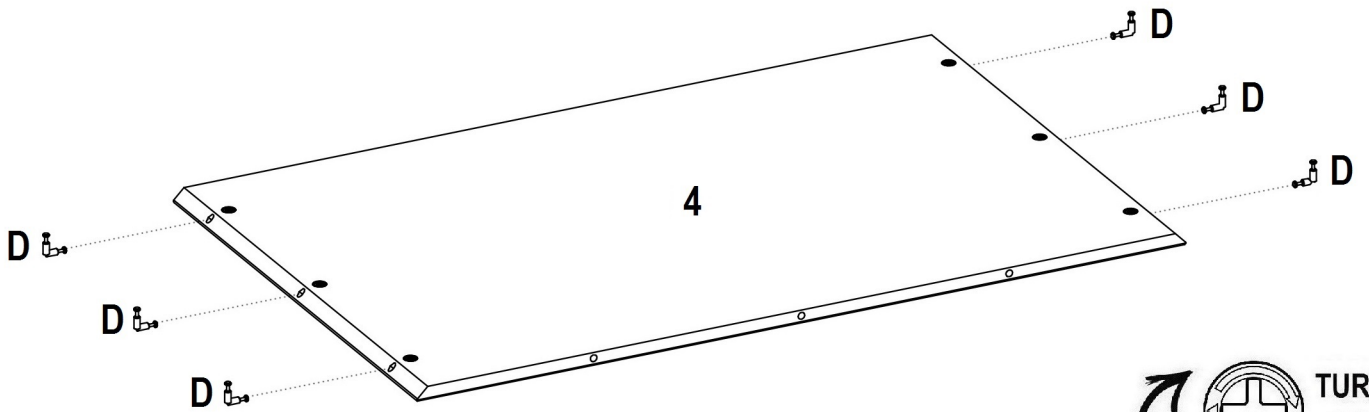
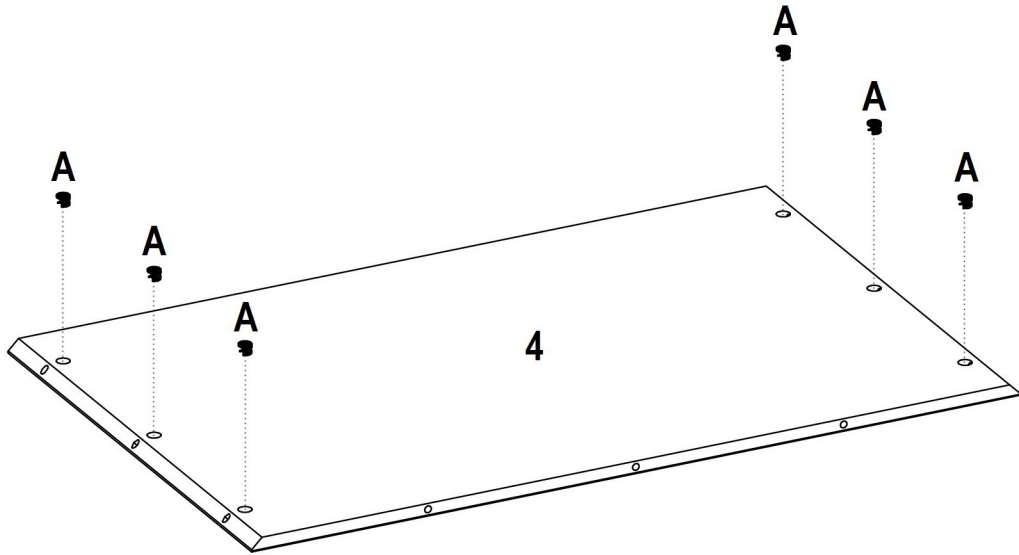
1



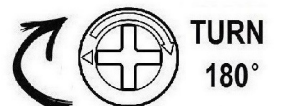
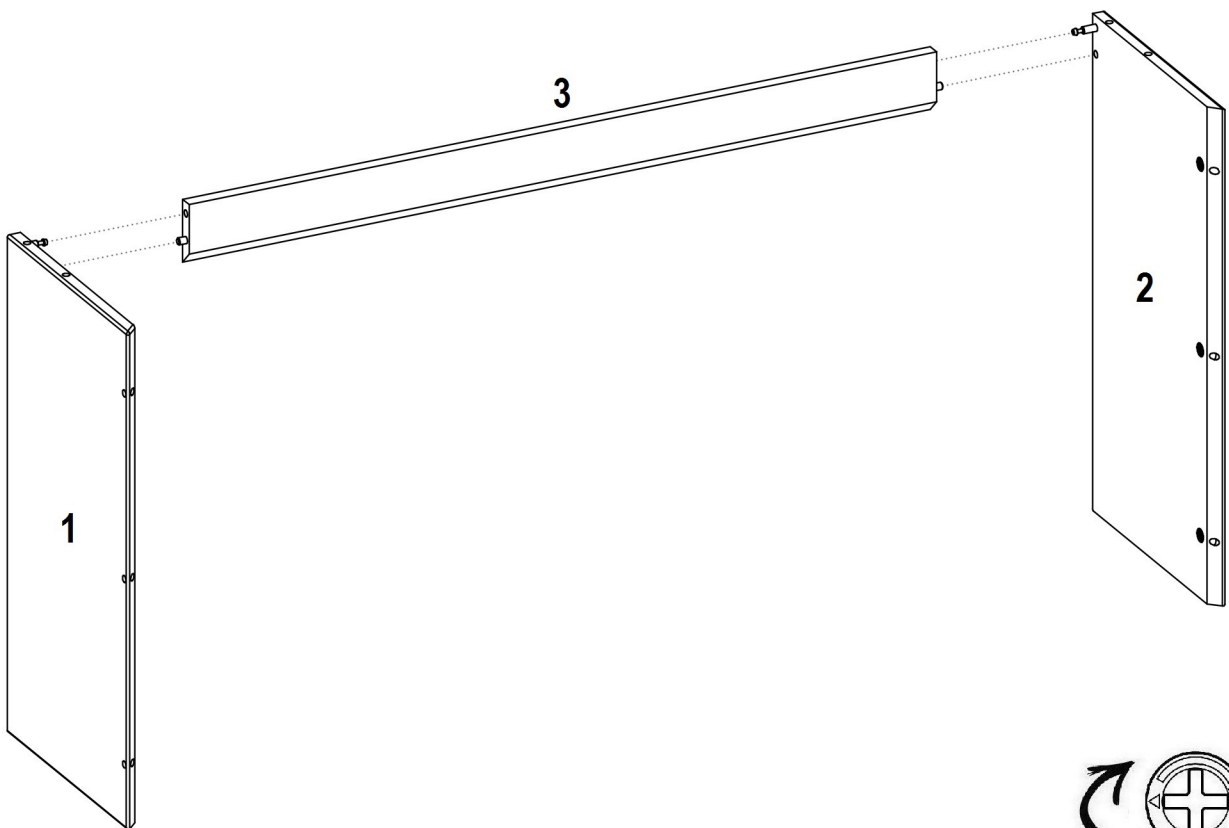
2



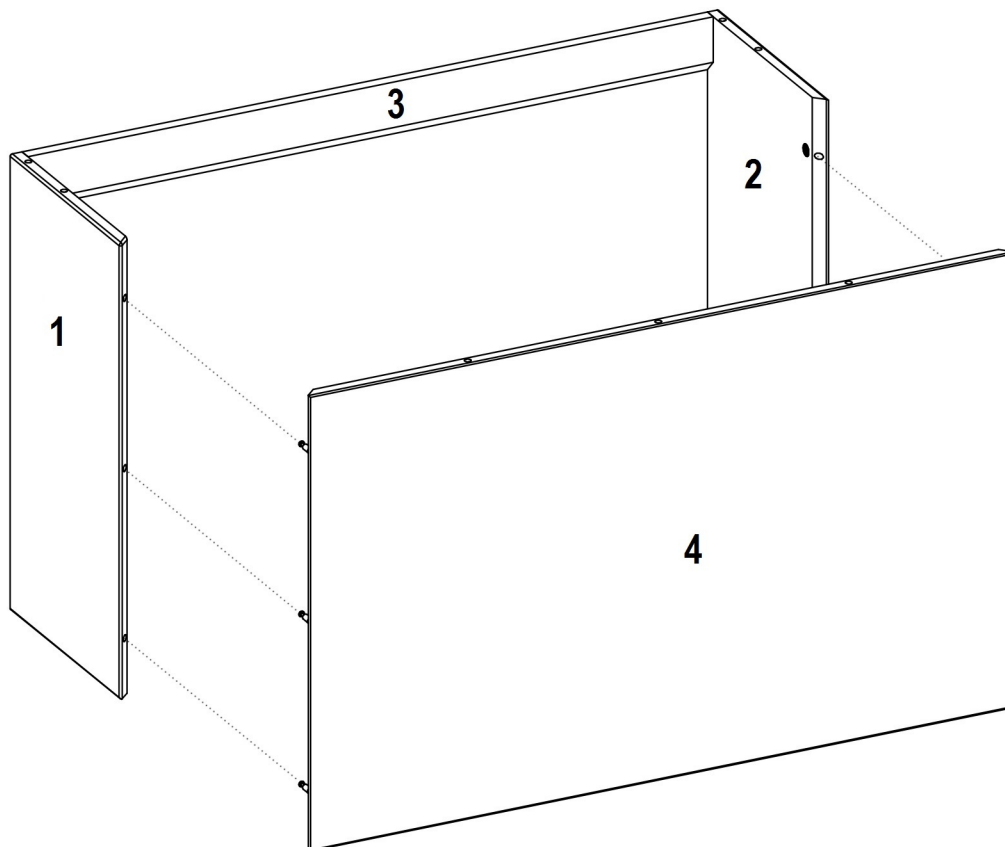
3



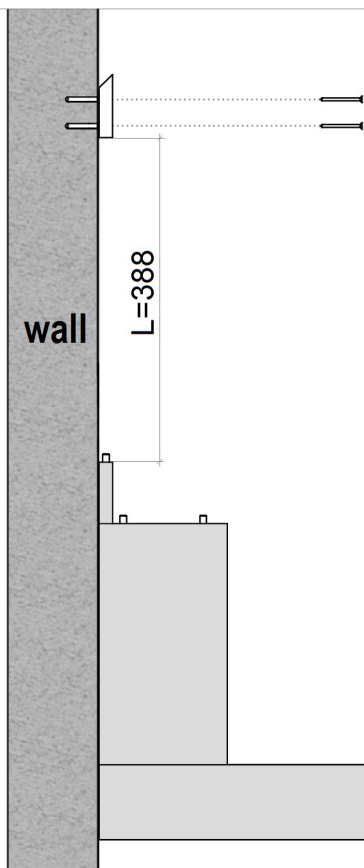
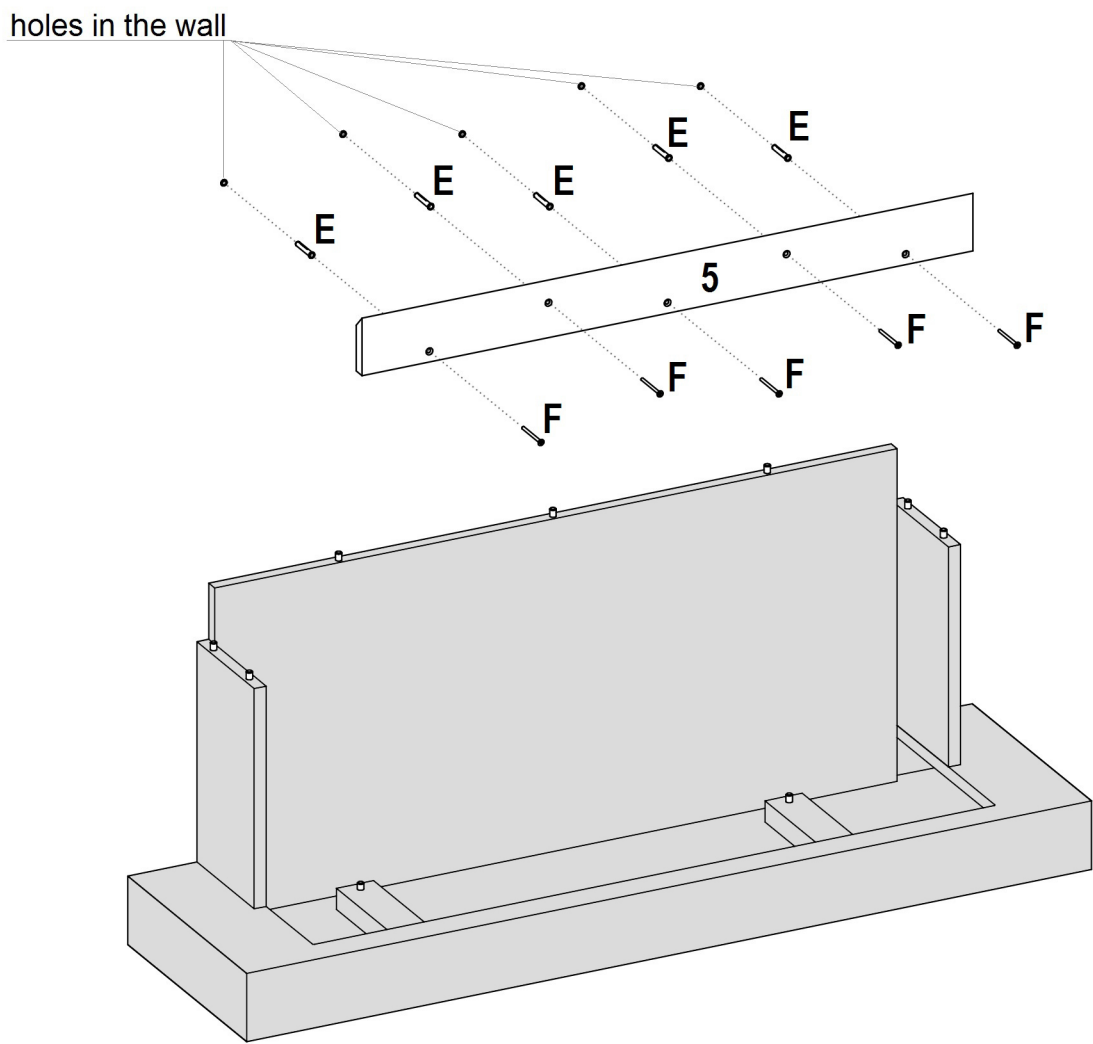
4



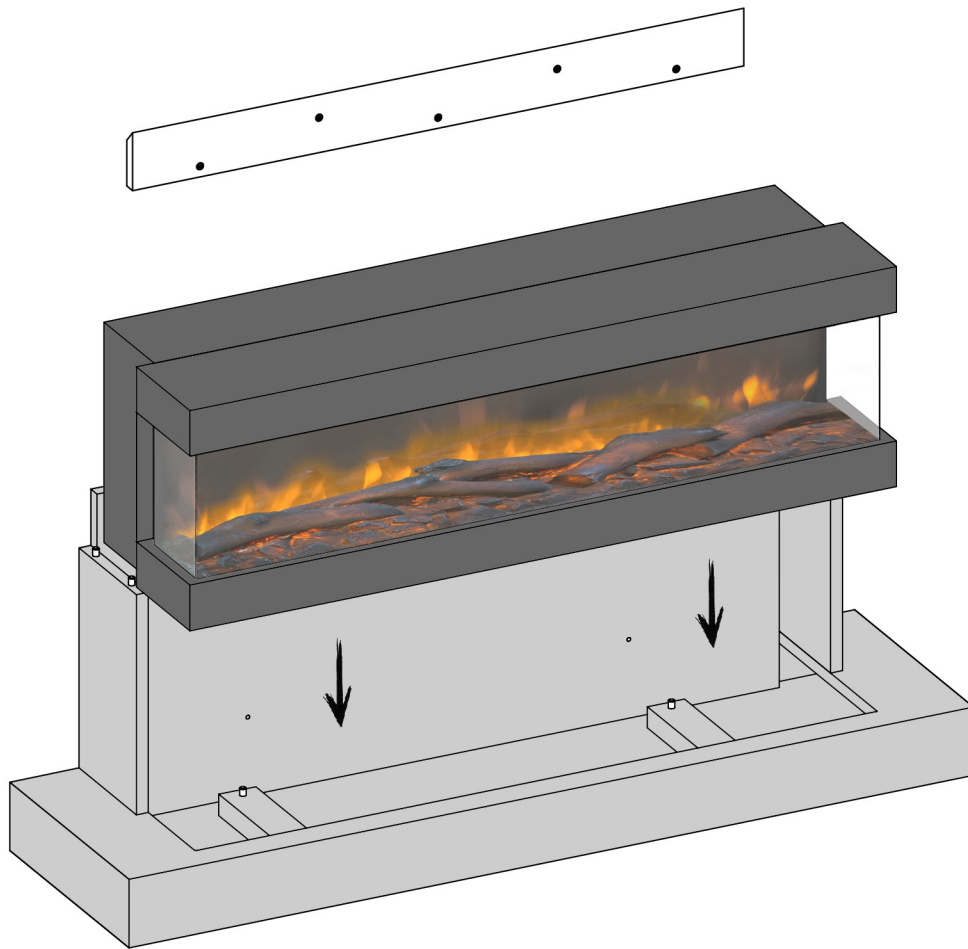
5



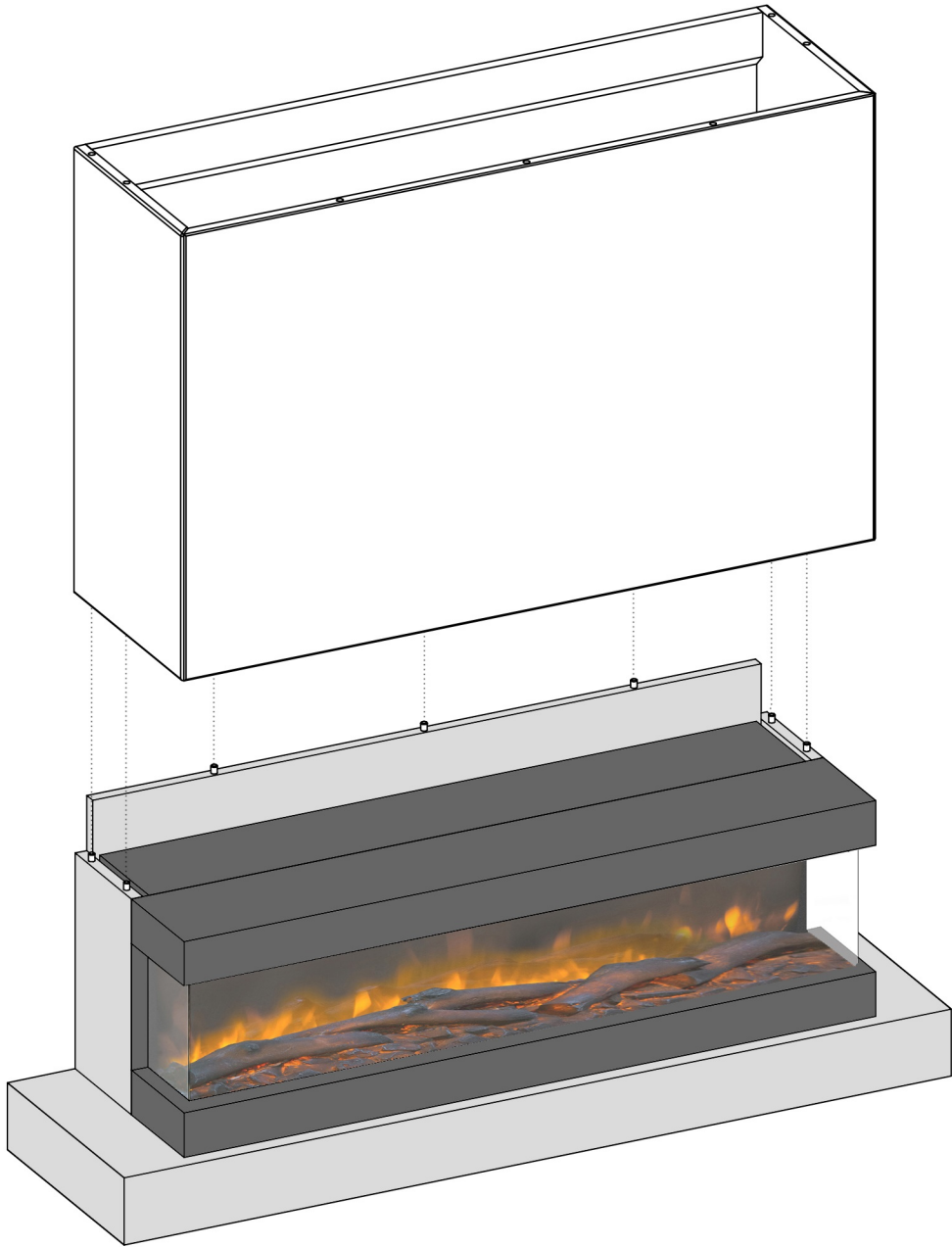
6



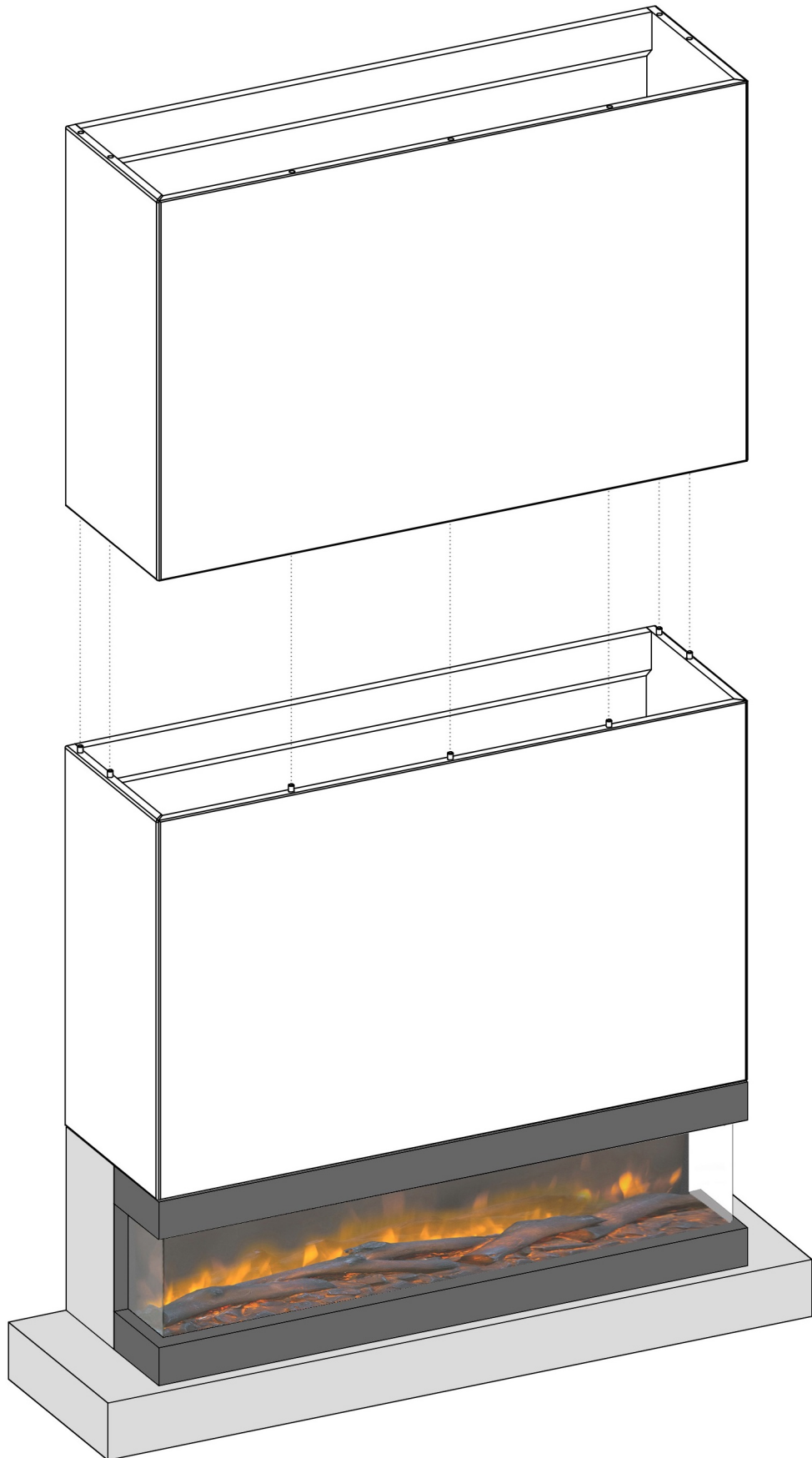
7



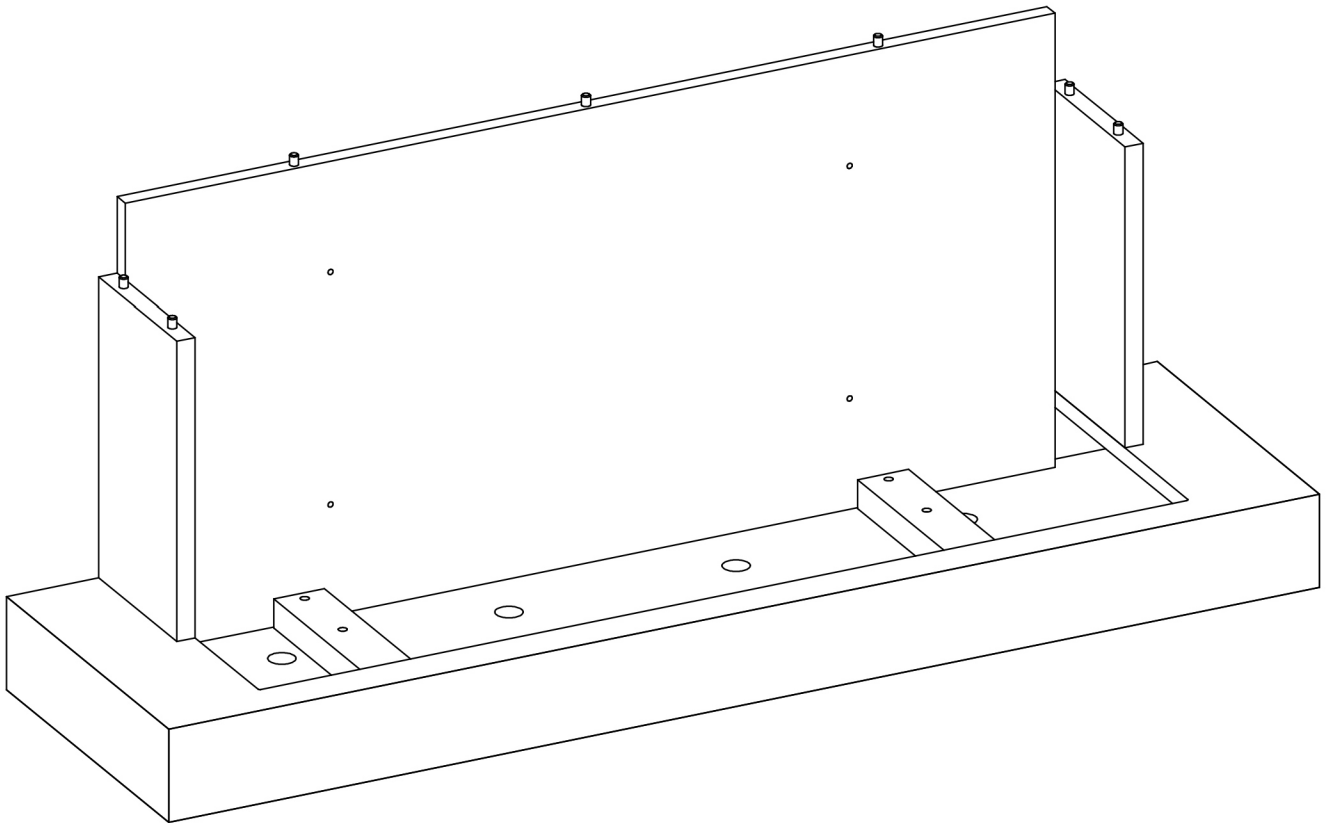
8



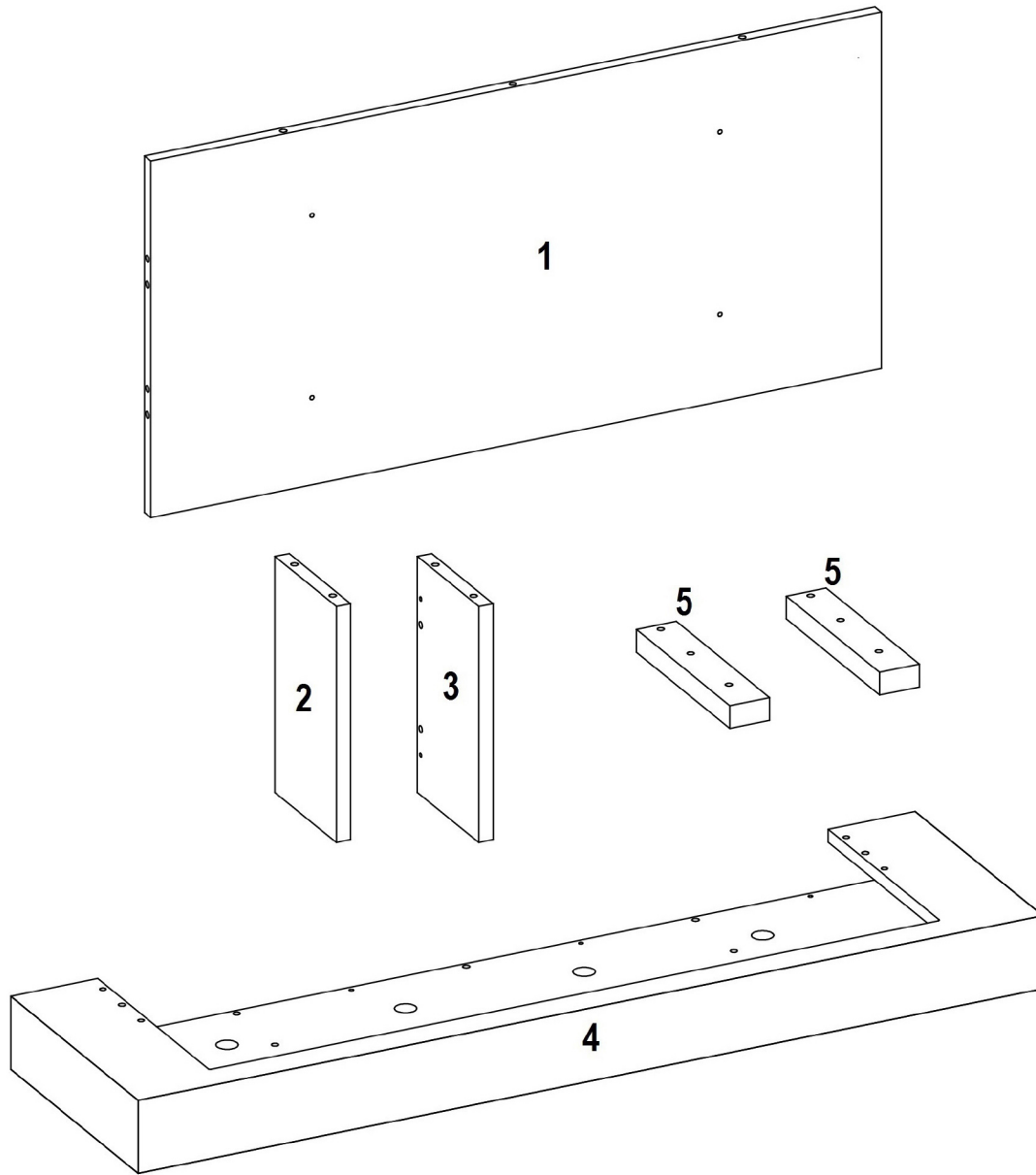
Alternative version










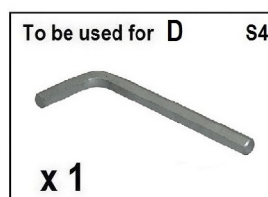
INSTRUCTION



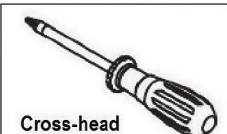
IMPORTANT: Please read this instruction carefully, keep for further reference and check all parts before assembling.



		 8x35	 7x35	 8x40
A x 8	B x 8	C x 18	D x 4	E x 4
 5x50	 8x25			
F x 4	G x 4			



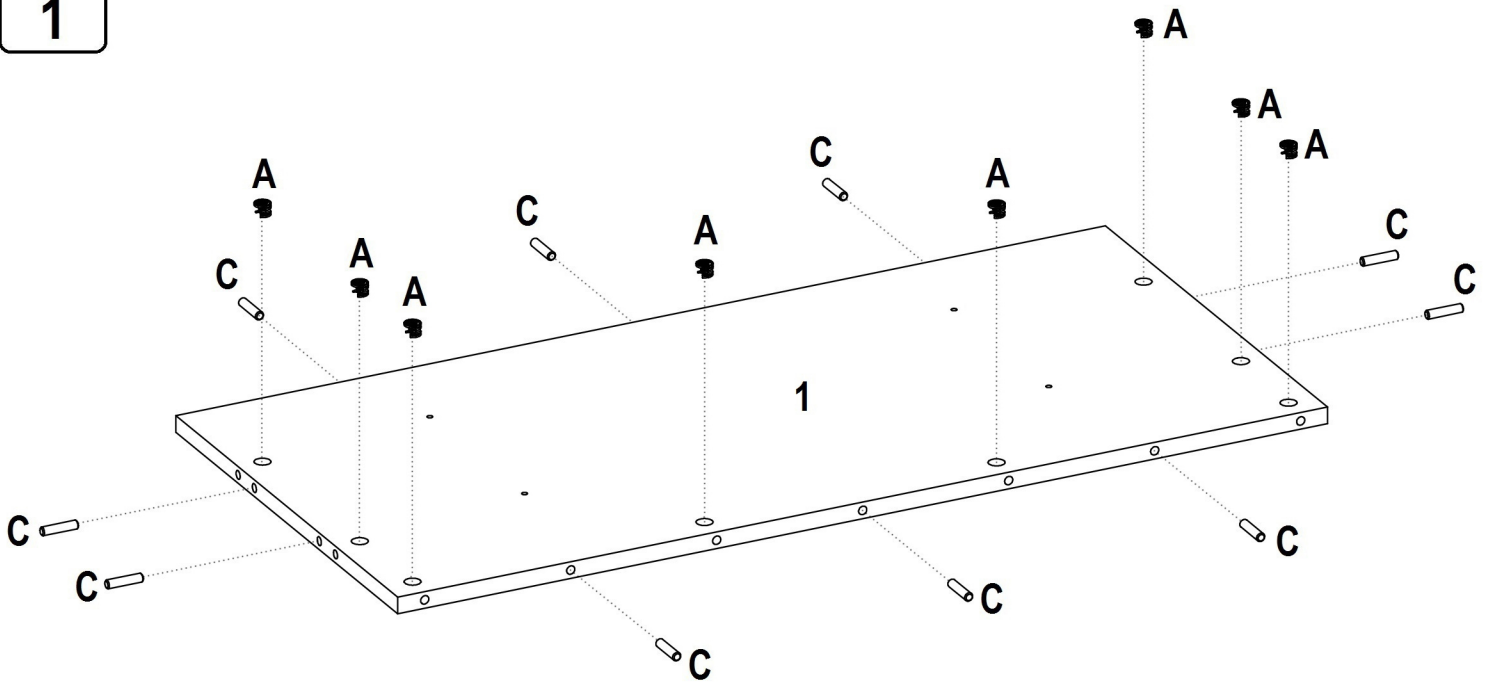
TOOL LIST



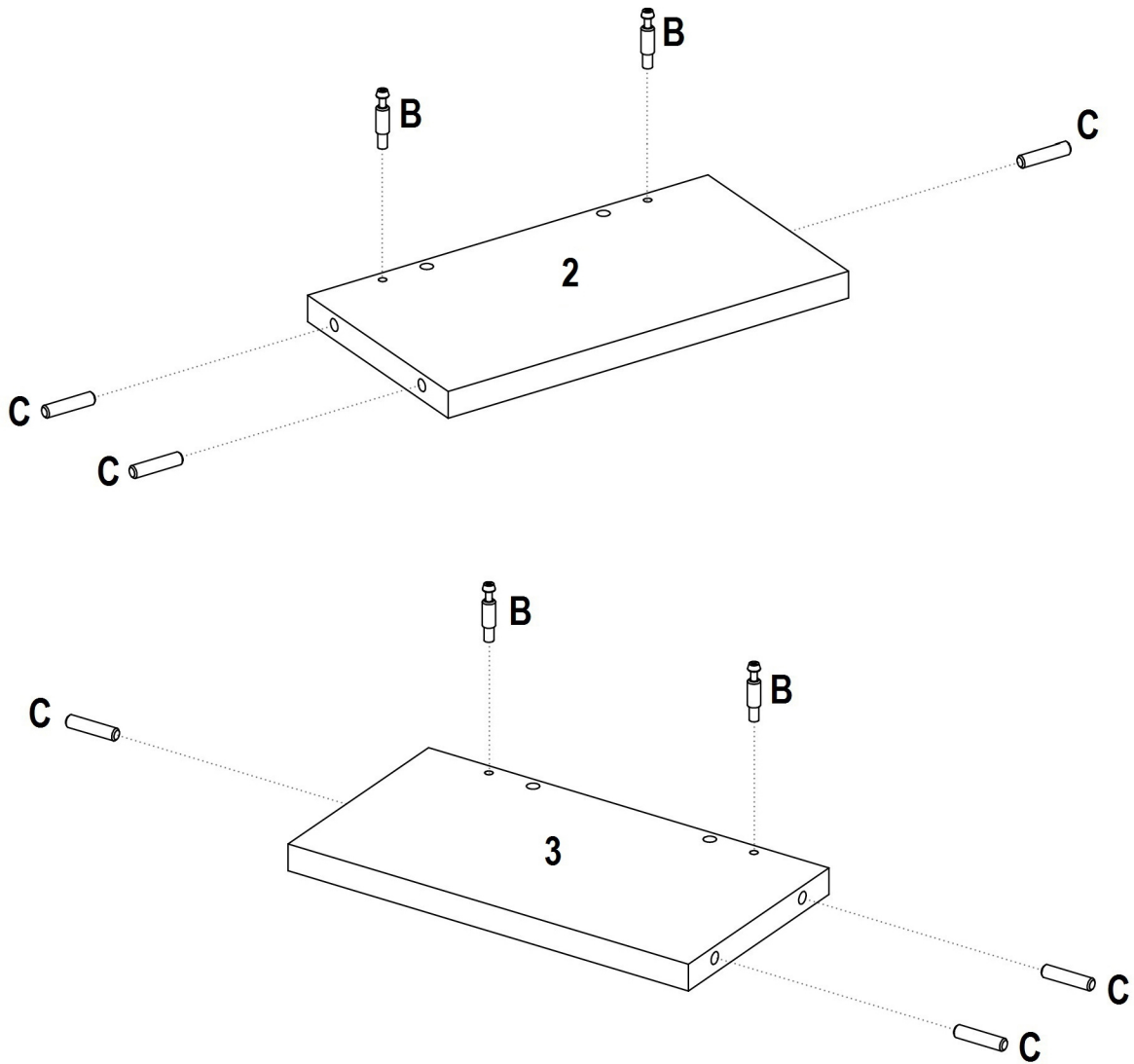
Cross-head
screwdriver
to be used for
A,B,F

Screwdriver not included

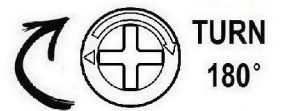
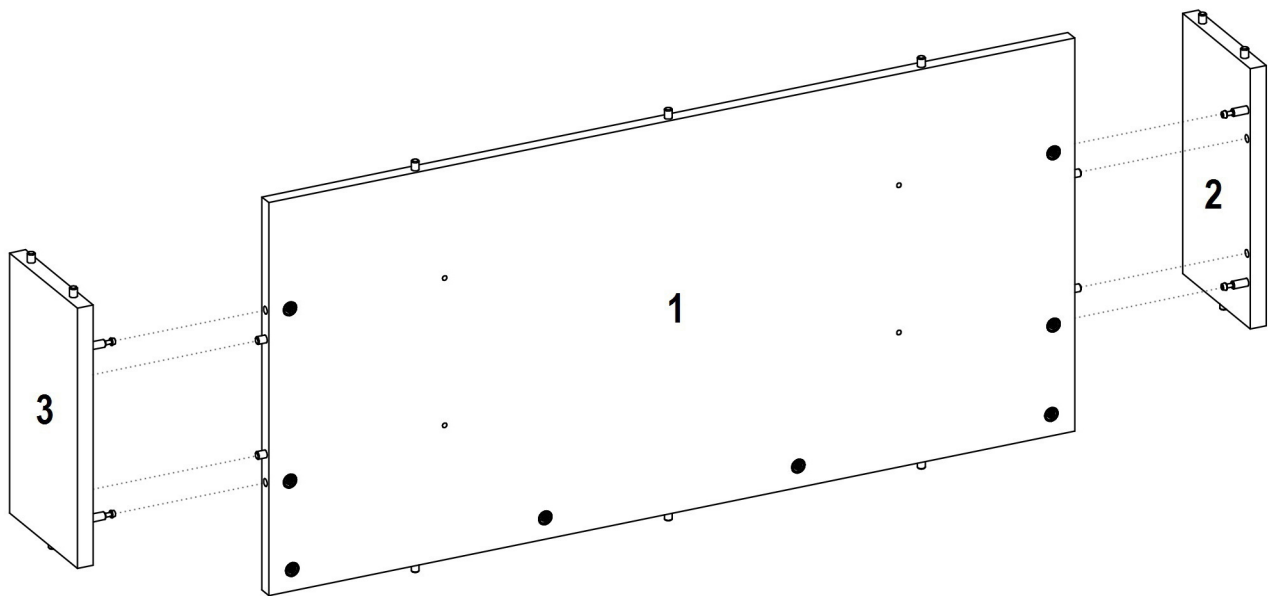
1



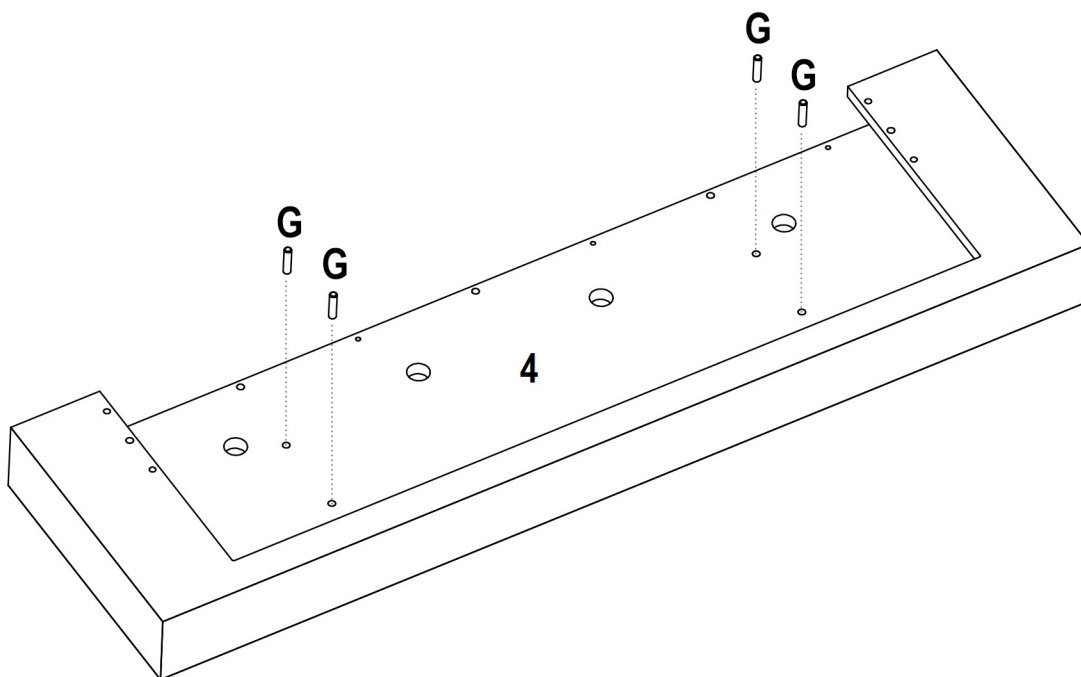
2



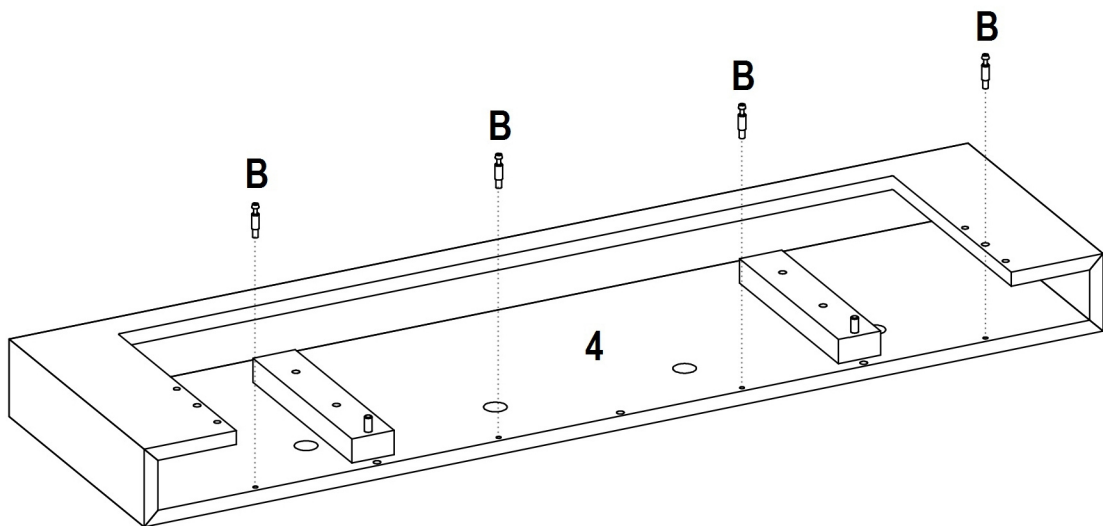
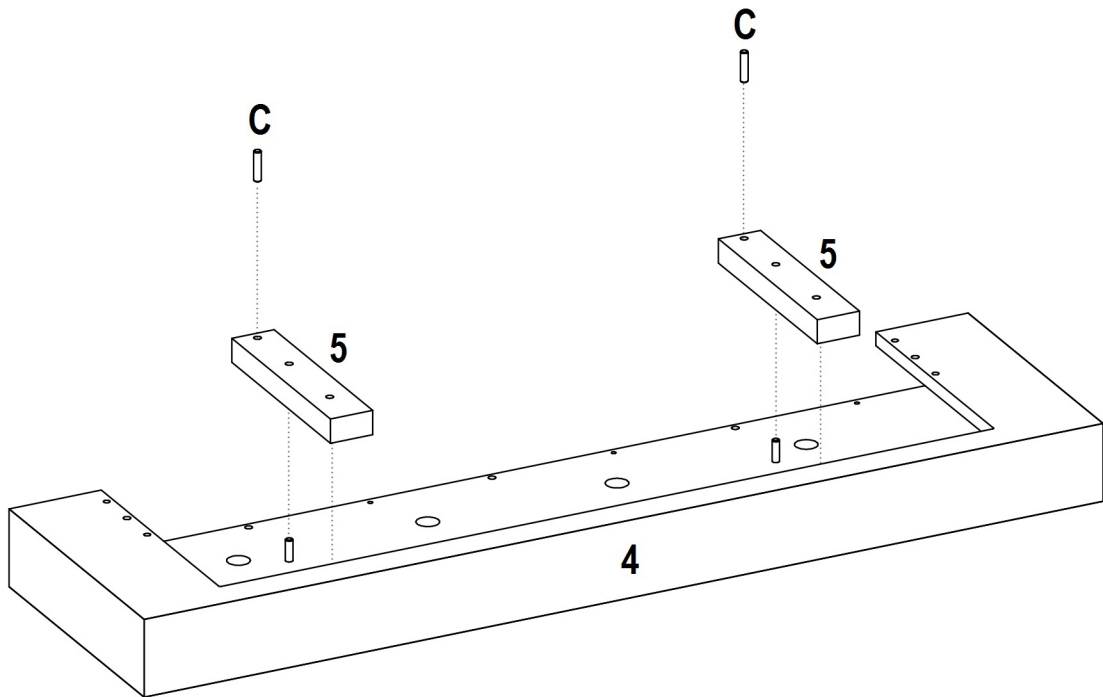
3



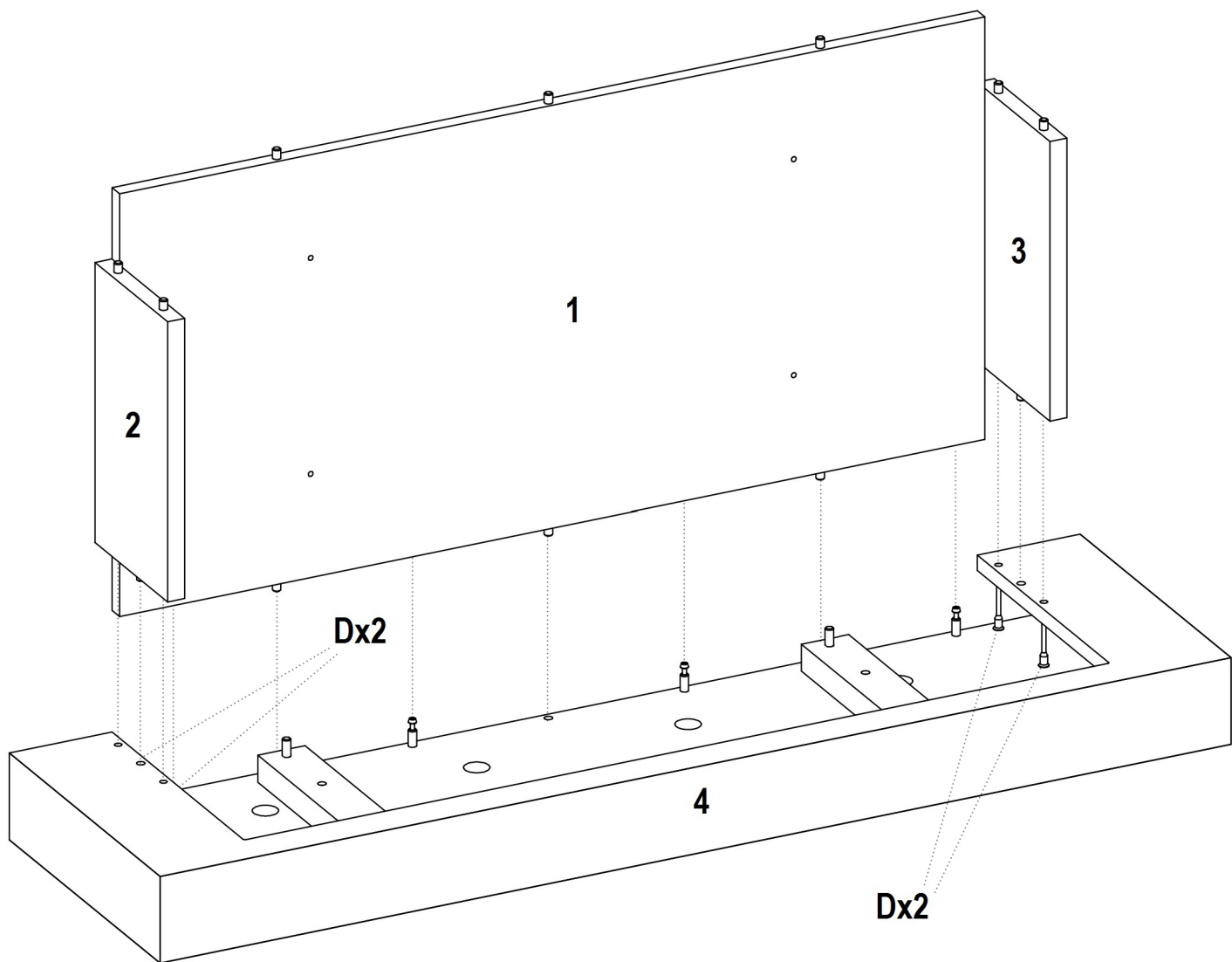
4



5



6



7

