

C L E A N F I R E S Y S T E M

XARALYN®

Manual DIY installation bioethanol burner with profile



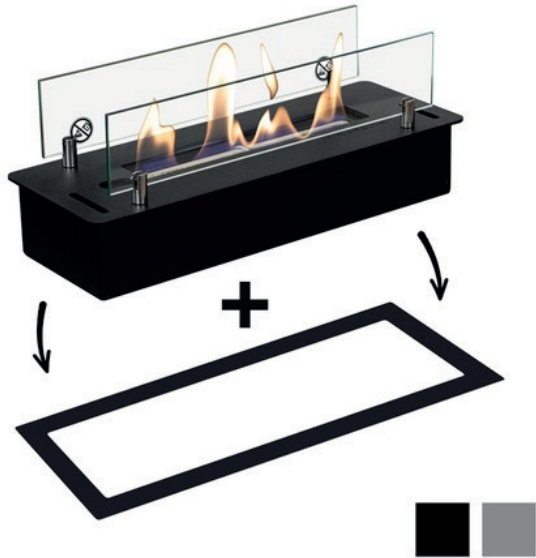
Installation overhang

+



Built-in profile

Use these burner for installation in your own project






Built-in profile



CLEAN FIRE SYSTEM
XARALYN®
Safest choice

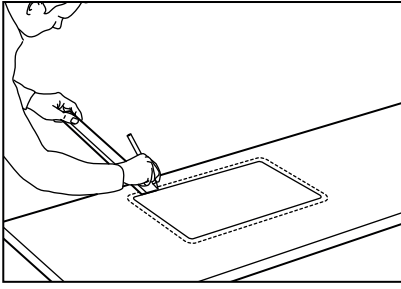
Installation with built-in profile

Suitable for:

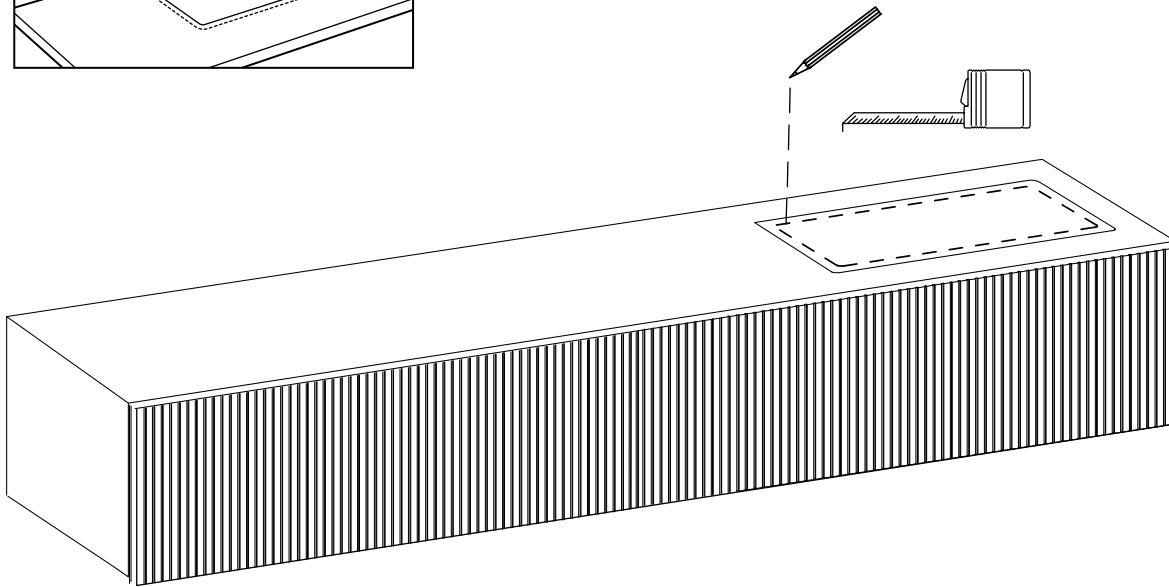
- ✓ Stone furniture 
- ✓ Wood furniture 
- ✓ Steel furniture 



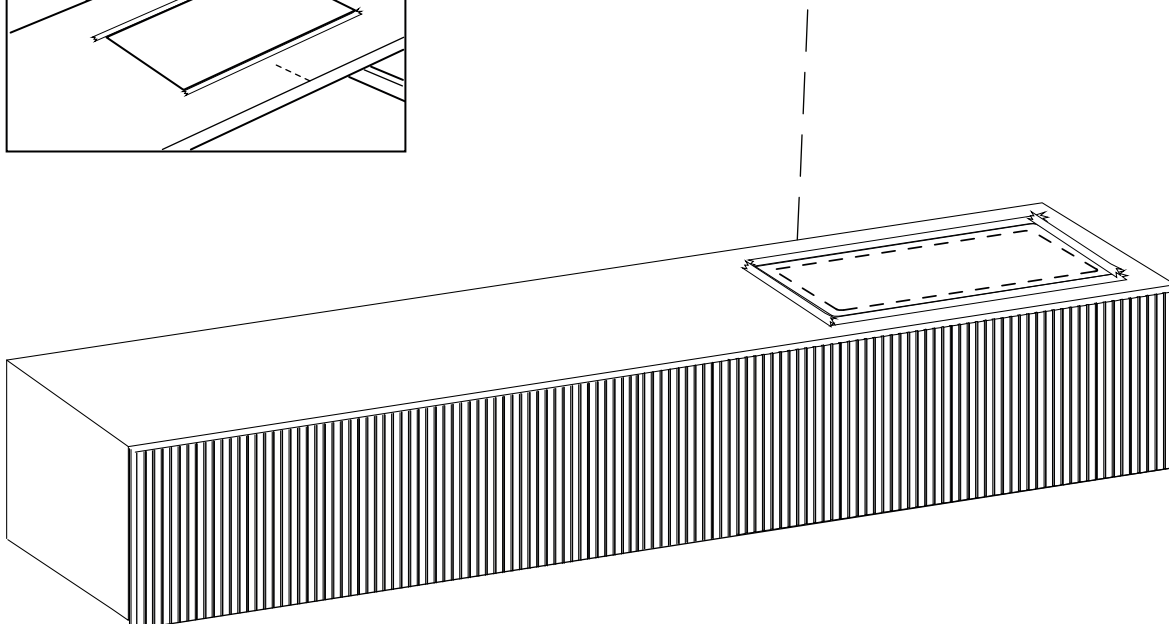
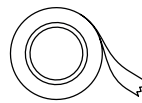
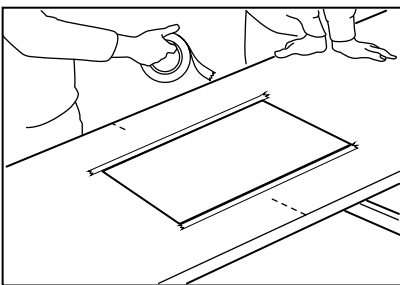
1 Measure and mark the hole



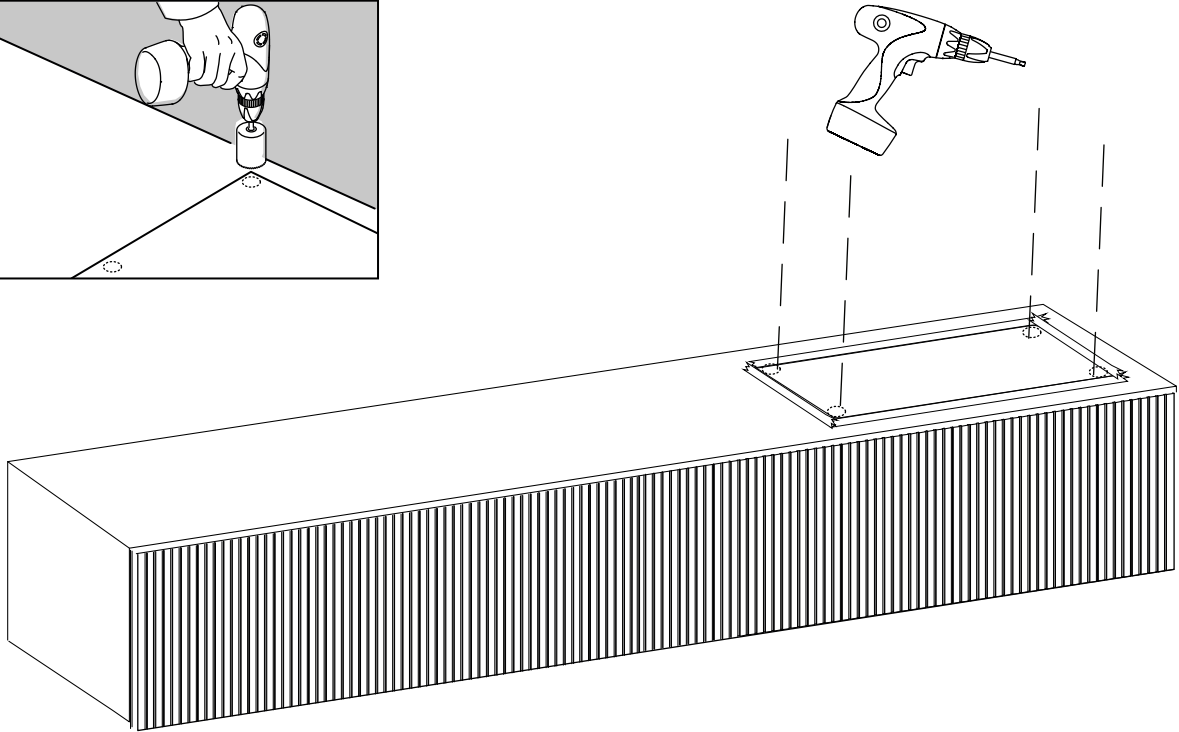
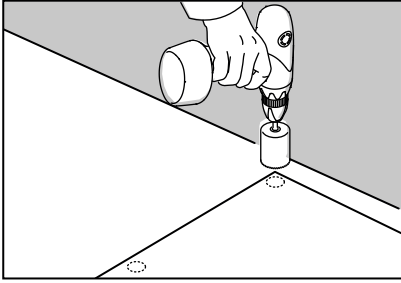
If you use a burner with a built-in profile. Then make sure you mark the hole 1.5cm smaller



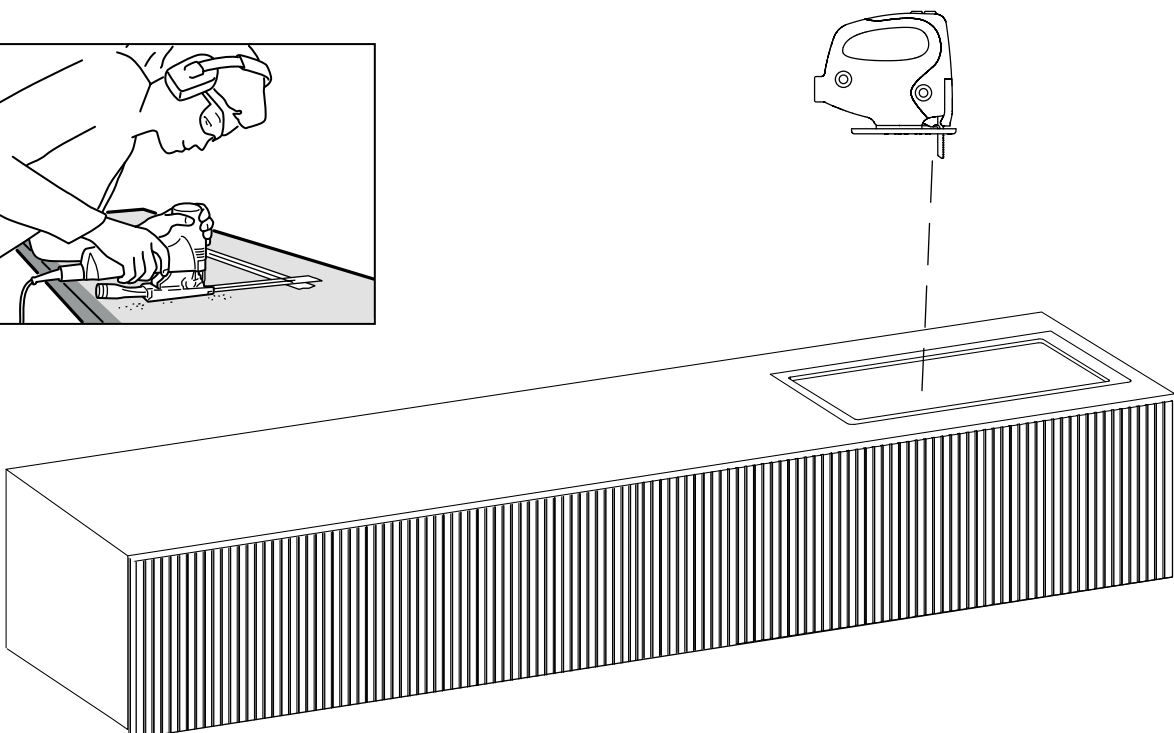
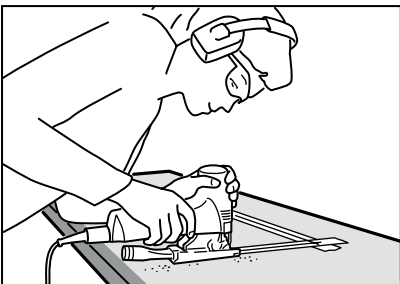
2 Tape to prevent splintering



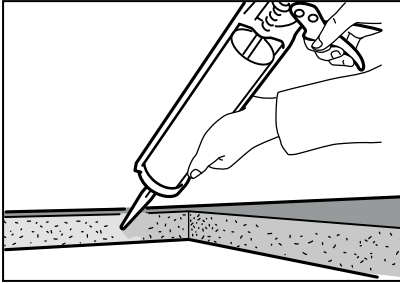
3 Drill holes in the 4 corners



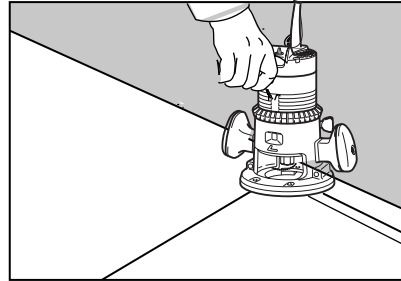
4 Cut the hole accurately with a jigsaw



5 Placing the profile



Or



A: Profile on top

Glue the profile with heat-resistant sealing

B: Profile deepend

Mill an edge to allow the profile to align with the furniture

6 Placing the burner

