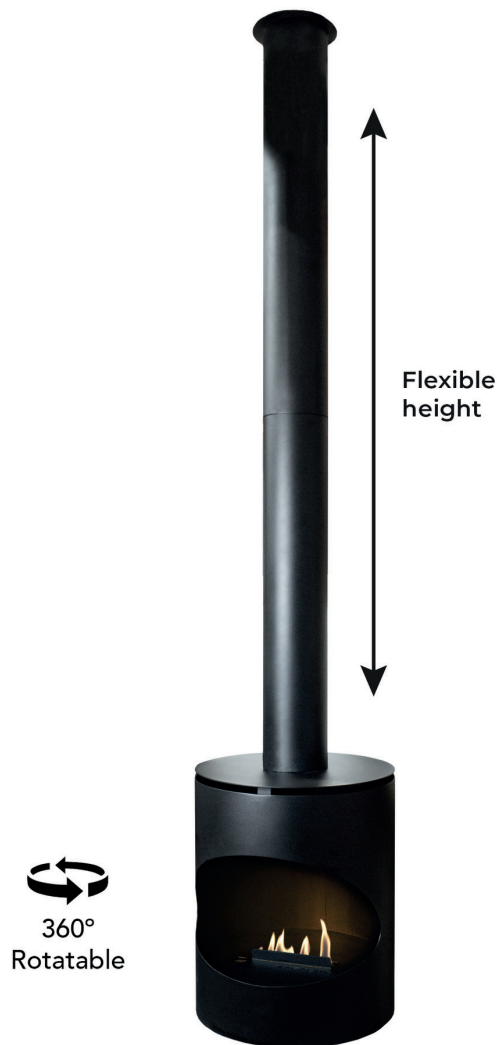


C L E A N F I R E S Y S T E M

XARALYN®

# Bioethanol hanging fireplace Silo



The safest open fire

Version: 2024-01

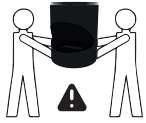
## EN General installation guidelines

The fireplace can be mounted to any type of ceiling, as long as the ceiling can carry the weight of the fireplace.

**On recessed ceilings with plasterboard or similar plates, the fireplace should preferably be attached to one of the overhead joists behind the ceiling plates to ensure that the ceiling can support the weight of the fireplace.**



The fireplace should be installed with a safety distance of minimum 1 meter to flammable materials.



Installing the Silo ceiling mounted bioethanol fireplace is recommended to be a two person job.



CLEAN FIRE SYSTEM  
**XARALYN®**



### Attention:

Before using the burner, we recommend reading the burner manual.

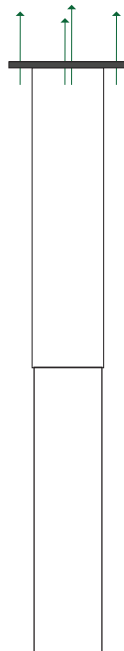
1

**Attach the deco pipe to the ceiling, using 4 appropriate screws and plugs, which are compatible with your ceiling.**

### Tip:

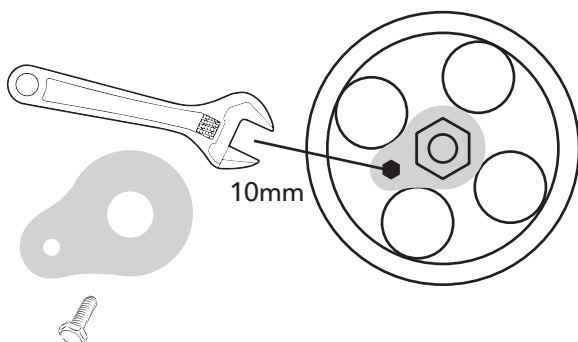
Mark the 4 holes on the ceiling with a pencil.

Then drill 4 holes with a drill and use a plug. Then hang the fake chimney from the ceiling.



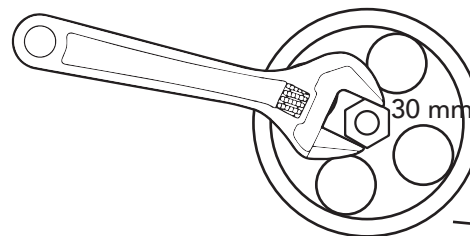
2

**When the pipe is attached to the ceiling, adjust the length of the pipe by removing the safety lock.**



3

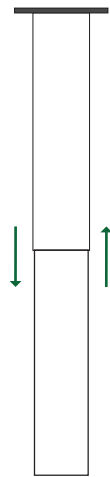
**Use a wrench to turn the nut. This determines the height of the fireplace. Adjust this as desired and then lock it in place.**



Turn to the left to loosen the tube and determine the height of the fireplace.



Turn clockwise to tighten the tube again. Tighten this nut properly and firmly.



4

**Attach the Silo to the pipe with the bolt. Do this by tightening the bolt in the ceiling on the inside of the Silo. Tighten this properly.**

